

# TL49J

## TOWABLE BOOM LIFT



- Heavy duty towable boom lift
- Superb working envelope with articulating/telescopic boom
- Easy to use live hydraulic controls
- Simple to maintain
- Range of power source options

 **snorkel**™  
[www.snorkellifts.com](http://www.snorkellifts.com)

# TOWABLE BOOM LIFT

# TL49J

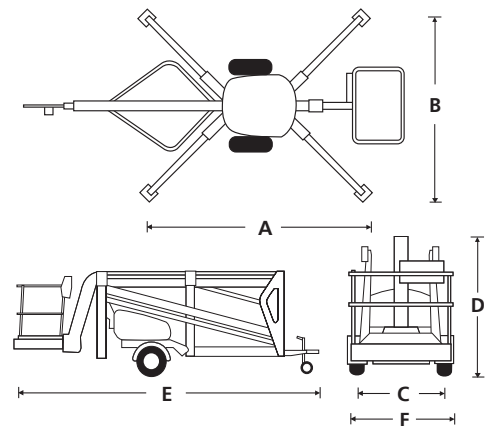
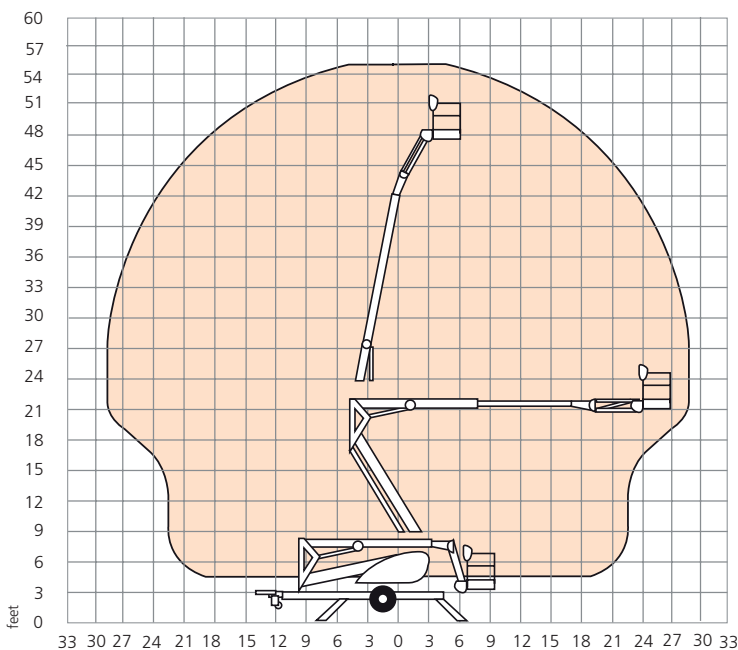
DIMENSIONS		TL49J
Max. working height		54 ft 8 in
Max. platform height		48 ft 8 in
Max. horizontal reach		27 ft 10 in
Platform width (C)		3 ft 9 in
Platform depth		2 ft 4 in
Stabilizer footprint (A x B)		15 ft 9 in x 15 ft 5 in
Towing length (E)		23 ft 3 in
Towing width (F)		5 ft 8 in
Stowed height (D)		7 ft 2 in

PERFORMANCE	
Platform capacity (SWL)	425 lbs
Max. wind speed	28 mph
Jib length	4 ft 3 in
Jib arc	130°
Platform rotation	90°
Superstructure rotation (non-continuous)	680°
Wheels	205/75R16
Controls	hydraulic proportional

POWER	
Power source	24V DC battery
Battery	4 x 6V 195Ah
Power options	gasoline, bi-energy (combustion and battery) or AC electric

WEIGHT	
Weight (DC battery)	5,269 lbs

## WORKING ENVELOPE



## STANDARD FEATURES

- Hydraulic stabilizers
- In-line boom design for maximum rigidity
- Hand pump emergency lowering from platform
- Lock valves on all hydraulic cylinders
- Proportional live hydraulic controls
- Integral road lighting board
- Power line to platform
- Dual lanyard attachment points
- 2 year parts & labor, 5 year structural warranty
- ANSI & DOT compliant

## OPTIONS

- Special paint colors
- Work lights in platform
- Flashing amber light
- Airline to platform
- Nylon spreader pads (set of 4)
- 110V/220V AC power
- Gasoline power
- Bi-energy (gas + batteries)
- Environmental hydraulic oil
- Friction drive assist package
- Snorkel OnSite™ telematics

**snorkel** [www.snorkellifts.com](http://www.snorkellifts.com)

P.O. Box 1160  
 St. Joseph, MO 64502-1160, USA  
 Tel: 1 (785) 989-3000  
 Toll-free: 1 (800) 255-0317  
 Fax: 1 (785) 989-3070  
 Email: sales.usa@snorkellifts.com