

A62JRT

ARTICULATED BOOM LIFT



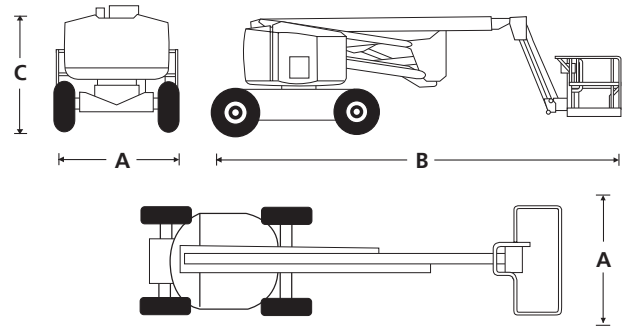
- High performance articulated boom lift
- Class-leading working envelope
- Powerful 4-wheel drive
- Ultra-tight turning radius
- Compact dimensions and zero tailswing

 **snorkel**[™]
www.snorkellifts.com

ARTICULATED BOOM LIFT

A62JRT

DIMENSIONS	A62JRT
Max. working height	67 ft 8 in
Max. platform height	61 ft 8 in
Max. working outreach	36 ft 6 in
Clearance height at max. outreach	29 ft 6 in
Platform size	8 ft x 3 ft
Overall width (A)	8 ft
Transport length	27 ft 10 in
Overall length (B)	28 ft 2.5 in
Stowed height (C)	8 ft 5 in
Ground clearance	1 ft 2 in

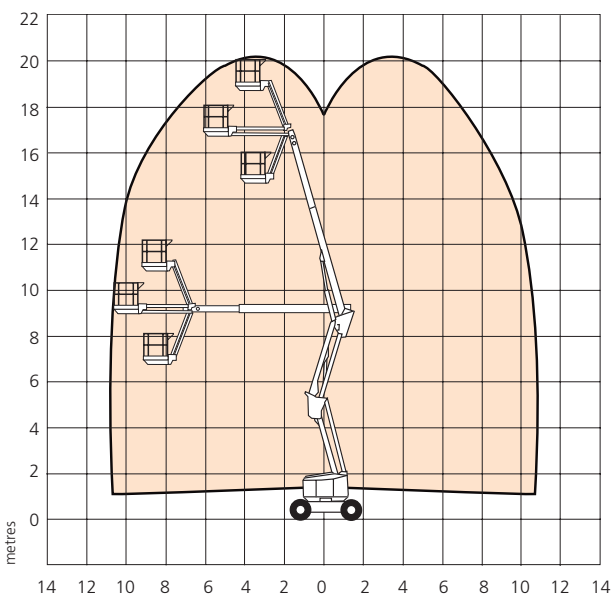


PERFORMANCE	
Platform capacity (SWL)	500 lbs
Max. drive height	61 ft 8 in
Max. wind speed	28 mph
Max. drive speed (stowed)	4 mph
Max. drive speed (elevated)	0.75 mph
Jib length	6 ft
Jib arc	-68° to 68.5°
Platform rotation	180°
Turret rotation (continuous)	360°
Tailswing	0m
Gradeability	45%
Inside turning radius	4 ft 6 in
Outside turning radius	15 ft 5 in
Tyres	355/55 D625 foam filled lug
Controls	multi-function, proportional drive, raise and slew
Drive system	4WD hydrostatic with oscillating axle

POWER	
Power source	Kubota V2403M 48kW/65hp – EU Stage V

WEIGHT	
Weight	24,978kg

WORKING ENVELOPE



ANSI Specification © Snorkel 2021 Specifications subject to change without notice. Photos and diagrams in this brochure are for promotional purposes only. Refer to appropriate Snorkel operators manual for detailed instructions on the proper use and maintenance.

STANDARD FEATURES

- Snorkel Guard™ secondary guarding system
- Powerful hydrostatic 4-wheel drive
- Oscillating axle
- Zero tailswing
- Ultra-tight turning radius
- Swing-out engine tray
- Hour meter & on-board diagnostic display
- Motion alarm
- Horn
- Power line to platform
- Flashing amber light
- Tri-entry platform
- DC emergency operation
- 2 year parts & labour, 5 year structural warranty
- ANSI compliant

OPTIONS

- Special paint colors
- Airline to platform
- AC generator 110V/240V 3.5kW
- Aircraft package
- Deluxe aircraft package
- Cold weather package
- Extreme cold weather package
- Extreme environment package
- Light package
- Glazier package
- Environmental hydraulic oil
- Tool tray
- Pipe rack
- Non-marking tires
- Snorkel OnSite™ telematics

snorkel www.snorkellifts.com

P.O. Box 1160
 St. Joseph, MO 64502-1160, USA
 Tel: 1 (785) 989-3000
 Toll-free: 1 (800) 255-0317
 Fax: 1 (785) 989-3070
 Email: sales.usa@snorkellifts.com