

# CORE ELECTRIC



3000 - 6500 LBS.

SPECIFICATIONS



8FBC15-18U | 8FBC20-32U | 8FBC20-25U-COMP | 8FBCH25-32U

CLASS  
**1**

ELECTRIC MOTOR RIDERS

[ToyotaForklift.com](http://ToyotaForklift.com)

## CORE ELECTRIC

CAPACITY  
**3000 - 6500 LBS.**

MAXIMUM FORK HEIGHT  
**278 IN.**

LOAD CENTER  
**24 IN.**

### INDUSTRIES



Beverage



Factory



Food Processing



Food Storage



General Manufacturing



General Warehousing



Retail

## STANDARD FEATURES

### SUPPORT

- System of Active Stability(SAS®)
  - Active control rear stabilizer
  - Active Mast Control
- Operator Presence Sensing System (OPSS)
- Automatic Fork Leveling
- Synchronized Steering<sup>1</sup>
- Automatic Parking Brake with Electric Switch<sup>1</sup>
- Key Lowering Interlock
- Foot Activated Parking Brake<sup>2</sup>
- Asbestos Free Brakes
- Electric Horn
- Manual Return to Neutral
- Turn Speed Control with load and height sensing<sup>1</sup>
- MyInsights

### PERFORMANCE

- AC drive system
- AC hydraulic lift system
- UL-approved model type "E"
- Three forms of energy regeneration
  - Coast control
  - Plug braking
  - Foot braking
- 4.3" Color (LCD) multifunction display<sup>1</sup>
  - Parking brake Indicator
  - OPS indicator
  - Error code Indicator
  - Battery discharge level indicator
  - Speedometer
- Power level indicator
- Low-speed setting indicator
- Brake hold indicator
- Overheat Warning Indicator
- Load Meter
- Multifunction Hour Meters
- Digital (LCD) multifunction display<sup>2</sup>
  - Time & Date
  - Speedometer
  - Multifunction hour meter
  - Battery capacity indicator
  - Over discharge warning (lift interrupt)
  - Parking brake indicator
- Low speed setting switch
- Direction indicator
- Mast tilt indicator
- Maximum speed limiter<sup>2</sup>
- Built-In analyzer
- Self-diagnostics
- Power select functions (H.P.S.E)<sup>1</sup>
- Power select functions (S.P.H.)<sup>2</sup>
- 3-way Hydraulic control valve
- Auto shut-off (programmable)
- Travel power control (acceleration)

### BODY/EXTERIOR DESIGN

- Wide-view 2-stage mast (V)
- Punched plate entry/exit step
- 48" load backrest extension
  - With angled tie bar
- Smooth cushion tires
- Wide-view carriage bars
- Drawbar pin
- Tie-down hooks
- LED front headlights<sup>1</sup>
- ORS 4-way adjustable full-suspension seat
- Retractable non-cinching seatbelt
- High-visibility orange seatbelt<sup>1</sup>
- Wide-opening battery hood
- Bolt on overhead guard
- SB 350 battery connector (gray)
- 34.5" battery compartment<sup>2</sup> (3000 - 3500 lbs.)
- 27.4" battery compartment (4000 - 5000 lbs.)
- 30.5" battery compartment (4000 - 5000 lbs.)
- 34.2" battery compartment (5000 - 6500 lbs.)
- 36.6" battery compartment (6500 lbs.)

### OPERABILITY & ERGONOMICS

- Strategically configured instrument display
- Hydrostatic (on demand) power steering
- Dual operator assist grips<sup>2</sup>
- Large Left and Right Side Operator Assist Grips
- Electric directional shift control
- Memory-tilt steering column<sup>1</sup>
- 11.8"-dia. two-spoke steering wheel
- Cowl-mounted hydraulic controls
- Heavy-duty non-slip floor mat
- Dash-integrated pen/pencil holder
- Hood-integrated clipboard
- Dash-mounted cup holder
- Inclined toe board<sup>1</sup>

### SERVICEABILITY

- Maintenance-free AC motors
- Easy-access hydraulic motor
- Bolt-on overhead guard
- Easy-access, no-tools-required floorboard
- Battery compartment hood assist dampers
- Planned maintenance indicator
- Easy-access controller
- CAN-bus controller wiring<sup>1</sup>

<sup>1</sup> Only available on 8FBC20-32U models  
<sup>2</sup> Only available on 8FBC15-18U models

## OPTIONAL EQUIPMENT

### LOAD HANDLING

- Wide visible mast (V)
- Full free-lift 2-stage mast (FV)
- Full free-lift 3-stage mast (FSV)
- Full free-lift 4-stage mast (QFV)
- Tilt cylinder boots
- Mast tilt (Bottler's tilt forward)
- Tapered forks
- Fully tapered & polished forks
- Fork bar (wide carriage)
- High load backrest
- Side hosing termination
- Less mast & forks
- Less forks
- Less backrest
- 36" black forks
- 3 Degree Back Tilt (6°-3°)

### LOAD HANDLING (HOSE & VALVE ASSEMBLY)

- 3 Way Valve (No 3rd Function Hosing)
- 3 Way Valve (With 3rd Function Hosing)
- Cascade SideShifter - 3Way Valve, 3rd Function Hosing
- RightLine SideShifter - 3Way Valve, 3rd Function Hosing
- 4 Way Valve (No 3rd & 4th Function Hosing)
- 4 Way Valve (With 3rd Function Hosing)
- 4 Way Valve (With 3rd & 4th Function Hosing)
- Cascade SideShifter - 4Way Valve, 3rd & 4th Function Hosing
- RightLine SideShifter - 4Way Valve, 3rd & 4th Function Hosing
- Cascade Integral SideShifting Fork Positioner W/A450
- Toyota Intergral Side-Shifter
- Toyota Intergral Side-Shifter W/A430
- Toyota Intergral Side-Shifter W/A450
- Cascade Integral Side-Shifter
- Cascade Single Double Attachment
- Turret Specification Mast (Either 188" or 238" MFH)
- Turret Specification Carriage (Either 51" or 59" Overall Width)
- Hydraulic Quick Disconnects (Single)
- Hydraulic Quick Disconnects (Dual)
- Clamp Release interlock
- 72" standard taper forks

### LIGHTS & INDICATORS

- LED Headlights
- Front/Rear combination lights
- LED front/rear combination headlights
- Low-profile mast-mounted LED headlights
- Key off/headlights off system
- Rear Working Light
  - Low-profile LED headlights
- Operator compartment light
- LED strobe light (multiple options available)
- Rear-facing Blue Light, Keyswitch Activated
- Rear-facing Blue Light, Reverse Activated
- Key Activated, Forward Facing Blue Light
- Red Zone Light
- Fast Charge
- Arc Alert Red Zone Light
- Adjustable Volume Back-up Alarm (Smart Alarm)
- Back-Up Alarm
- Back up Buzzer
- Armrest Horn
- Fire extinguisher 2.5 lb. upgrade (including bracket)
- Fire extinguisher 5 lb. upgrade (including bracket)
- Forward Activated Front Facing Blue Light
- Low Profile LED RR Work Light
- SEnS+ Pedestrian Detection
- SEnS Smart Environment Sensor

### BODY

- Left-hand shift lever
- Pre-delivery inspection
- Mini-levers with ErgoShift
- EZ Fingertip Controls®
- EZ-Control Joystick® Upgrade (non-clamping attachments)
- Synchronized steering
- Seatbelt Interlock
- Rearview mirrors (left & right sides)
- Center-mounted rear view mirror
- Plastic mirrors
- Rear crosswalk mirror
- Skid plate
- Travel speed/acceleration control system
- Power shut-down button
- Battery slide-out
- Battery roll-out
- Euro connector
- Rear pillar assist grip with horn
- Rear assist grip on roof with horn
- Touchpad keyless entry system
- Impact sensor
- Factory Set Speed Limit
- Battery compartment side panels
- Drive-in rack overhead guard
- Drive-in rack overhead guard with options
- Auto height select
- String cutter
- Pencil/tape holder
- Keyless ignition
- 12-Volt power supply (9 amps)
- 12-Volt power supply harness extension
- Anti-static strap
- Fully oil-charged lift cylinder
- Steering wheel with knob
- Swivel seat (multiple options available)
- ORS Cloth 4-way Full Suspension Seat
- Mordura Full Suspension Seat
- Swivel Seat (Cloth)
- Swivel Seat (Vinyl)
- Orange seatbelt
- Lowered 84.9" overhead guard with non-suspension seat
- Special paint (one or two color only)
- Hydraulic component guard for Cascade sideshifters
- Polycarbonate overhead guard cover
- Reverse Activated Work Light
- Operator cooling fan
- Exclusive key
- Optional battery connector colors (multiple options available)
- Toyota Lithium-ion Battery

Optional Equipment, continued

**CHASSIS**

- Power steering hose guard
  - EZ Pedal (foot directional control)
- 

**WHEELS & TIRES**

- Smooth, non-marking tires (front & rear)
  - Treaded, non-marking tires (front & rear)
  - Treaded tires (front & rear)
  - Wide tread (front tires)
  - Wide steer tire (6")
  - Smooth, white, non-marking tires (front & rear)
  - Removal of wide tread
  - Smooth RR Tires
- 

**SPECIAL MODEL**

- Compact specification (27.4" battery compartment)
    - UL-approved model
      - Type "E"
      - Type "EE"
  - Cold storage model
  - Rust proof specification
  - 48-Volt model
  - LIB-ready kit
- 

**TELEMATICS**

- T-Matics Command - iRF, Prox Card
- T-Matics Command - iRF, iButton

# TRUCK SPECIFICATIONS

## MODEL NUMBERS

GENERAL DATA				8FBC15U		8FBC18U	
Load Capacity		lb (kg)		3000 (1500)		3500 (1750)	
Power Type (battery)	Voltage	V		36	48	36	48
Battery Compartment Length				26.8		26.8	
Operator Position				Seated Rider		Seated Rider	
Tire Type	Front / Rear			Cushion / Cushion		Cushion / Cushion	
Wheels (x = driven)	Front / Rear			2x / 2		2x / 2	
EXTERIOR DIMENSIONS				8FBC15U		8FBC18U	
<b>A</b>	Maximum Fork Height (top of forks)	in (mm)		131 (3335)		131 (3335)	
<b>B</b>	Free-Lift (top of forks)	in (mm)		5.7 (145)		5.7 (145)	
<b>C</b>	Fork Size (T x W x L)	in (mm)		1.4 x 4 x 42 (35 x 100 x 1070)		1.4 x 4 x 42 (35 x 100 x 1070)	
<b>D</b>	Tilt Range (forward / backward)	deg		6 / 8		6 / 8	
<b>E</b>	Length to Fork Face	in (mm)		76.8 (1950)		76.8 (1950)	
<b>F</b>	Overall Width	in (mm)		37 (945)		37 (945)	
<b>G</b>	Mast Lowered Height	in (mm)		83.1 (2110)		83.1 (2110)	
<b>H</b>	Mast Extended Height (top of load backrest)	in (mm)		179.3 (4555)		179.3 (4555)	
<b>I</b>	Overhead Guard Height	in (mm)		86.4 (2195)		86.4 (2195)	
<b>J</b>	Turning Radius (inside / outside)	in (mm)		66.3 (1685)		66.3 (1685)	
<b>K</b>	Load Distance <sup>3</sup>	in (mm)		15.7 (400)		15.7 (400)	
<b>L</b>	Basic Right-Angle Stacking Aisle Width <sup>2</sup>	in (mm)		82.1 (2085)		82.1 (2085)	
PERFORMANCE DATA				8FBC15U		8FBC18U	
				36V	48V	36V	48V
Speeds <sup>3</sup> (V mast only)	Maximum Travel (fwd. / rev.)	Full Load	mph (km/h)	11.5 (18.5)	11.5 (18.5)	11.3 (18.3)	11.3 (18.2)
		No Load	mph (km/h)	11.5 (18.5)	11.5 (18.5)	11.5 (18.5)	11.5 (18.5)
	Lifting	Full Load	fpm (mm/sec)	88 (448)	108 (548)	79 (400)	100 (510)
		No Load	fpm (mm/sec)	134 (680)	720 (142)	134 (680)	142 (720)
Lowering	Full Load	fpm (mm/sec)		104 (527)		104 (527)	
	No Load	fpm (mm/sec)		103 (524)		103 (524)	
Drawbar Pull	Full Load / No Load	3-Min. Rating	lb (kg)	2090 (950) / 1700 (770)		2080 (940) / 1670 (760)	
		3-Min. Rating	lb (kg)	2090 (950) / 1700 (770)		2080 (940) / 1670 (760)	
		60-Min. Rating	lb (kg)	540 (250) / 580 (260)		530 (240) / 580 (260)	
Gradeability <sup>*</sup>	Full Load / No Load	3-Min. Rating	%	20 / 21		18 / 20	
		3-Min. Rating	%	20 / 21		18 / 20	
		60-Min. Rating	%	8 / 13		7 / 13	
TRUCK WEIGHTS				8FBC15U		8FBC18U	
Total Weight		lb (kg)		4930 (2240)		5200 (2365)	
Weight Distribution <sup>4</sup>	Full Load (front / rear)	lb (kg)		8360 (3910) / 1410 (660)		9230 (4325) / 1310 (620)	
	No Load (front / rear)	lb (kg)		2880 (1305) / 3890 (1765)		2830 (1285) / 4210 (1910)	
TIRES				8FBC15U		8FBC18U	
Tires	Number (front / rear)			2 / 2		2 / 2	
	Size (front / rear)			18 x 6 x 12-1 / 8 / 14 x 4-1 / 2x8		18 x 6 x 12-1 / 8 / 14 x 4-1 / 2x8	
Wheelbase		in (mm)		48 (1220)		48 (1220)	
Tread Width (front / rear)		in (mm)		31.3 (795) / 32.3 (820)		31.3 (795) / 32.3 (820)	
Underclearance (full load)	Minimum <Drive Axle>	in (mm)		2.6 (65)		2.6 (65)	
	Center of Wheelbase	in (mm)		3.1 (80)		3.1 (80)	
Brake	Service (foot) / Parking			Hydraulic / Foot		Hydraulic / Foot	
POWER SYSTEM				8FBC15U		8FBC18U	
Battery	Voltage / Capacity (STD)	V / Ah		36 / 680	48 / 510	36 / 680	48 / 510
	6-Hour Rating (high)	V / Ah		36 / 880	48 / 660	36 / 880	48 / 660
Electric Motors	Drive	kW		8.5	8.5	8.5	8.5
	Load Handling	kW		10.3	13.2	10.3	13.2
Control Type	Drive			Transistor Inverter		Transistor Inverter	
	Load Handling			Transistor Inverter		Transistor Inverter	
	Power Steering			Transistor Inverter		Transistor Inverter	
Auxiliary Hydraulic Function Specifications (for attachments) <sup>5</sup>	Max. Operating Pressure	psi (kg/cm <sup>2</sup> )		2000 (140)		2000 (140)	
	Max. Flow Rate	gpm (lpm)		5.28 (20)		5.28 (20)	

\* Computed values.

1 V Mast

2 At centerline of front axle to front face of forks.

3 Add load length & clearance.

4 Please see your local, authorized Toyota dealer for more information.

5 With standard battery

6 Values taken at Hydraulic Control Valve. Does not take in to consideration losses through mast plumbing (hosing, fittings, QDs, etc.).

# TRUCK SPECIFICATIONS

MODEL NUMBERS

GENERAL DATA				8FBC20U		8FBC20U-COMP		8FBC25U	
Load Capacity		lb (kg)		4000 (1810)		4000 (1810)		5000 (2270)	
Power Type (battery)	Voltage	V		36	48	36	48	36	48
Battery Compartment Length		in		30.5"		27.4"		30.5"	
Operator Position				Rider Seated		Rider Seated		Rider Seated	
Tire Type	Front / Rear			Cushion		Cushion		Cushion	
Wheels (x = driven)	Front / Rear			2x/2		2x/2		2x/2	
EXTERIOR DIMENSIONS				8FBC20U		8FBC20U-COMP		8FBC25U	
<b>A</b> Maximum Fork Height (top of forks)		in (mm)		131.5 (3340)		131.5 (3340)		131.5 (3340)	
<b>B</b> Free-Lift (top of forks)		in (mm)		6.1 (155)		6.1 (155)		6.1 (155)	
<b>C</b> Fork Size (T x W x L)		in (mm)		1.6 x 5 x 42 (40 x 125 x 1070)		1.6 x 5 x 42 (40 x 125 x 1070)		1.6 x 5 x 42 (40 x 125 x 1070)	
<b>D</b> Tilt Range (forward / backward)		deg		6/8		6/8		6/8	
<b>E</b> Length to Fork Face		in (mm)		81.7 (2075)		79.9 (2030)		84.3 (2140)	
<b>F</b> Overall Width		in (mm)		41.9 (1065)		41.9 (1065)		41.9 (1065)	
<b>G</b> Mast Lowered Height		in (mm)		83.3 (2115)		83.3 (2115)		83.3 (2115)	
<b>H</b> Mast Extended Height (top of load backrest)		in (mm)		179.5 (4560)		179.5 (4560)		179.5 (4560)	
<b>I</b> Overhead Guard Height		in (mm)		88 (2235)		88 (2235)		88 (2235)	
<b>J</b> Turning Radius (inside / outside)		in (mm)		70.5 (1790)		68.5 (1740)		70.9 (1800)	
<b>K</b> Load Distance <sup>1</sup>		in (mm)		16.7 (425)		16.7 (425)		16.7 (425)	
<b>L</b> Basic Right-Angle Stacking Aisle Width <sup>2</sup>		in (mm)		87.2 (2215)		85.2 (2165)		87.6 (2225)	
PERFORMANCE DATA				8FBC20U		8FBC20U-COMP		8FBC25U	
				36V	48V	36V	48V	36V	48V
Speeds <sup>3</sup> (V mast only)	Maximum Travel (FWD)	H Mode: Full Load	mph (km/h)	10.6 (17.0)	12.1 (19.5)	10.6 (17.0)	12.1 (19.5)	9.0 (14.5)	11.2 (18)
		H Mode: No Load	mph (km/h)	10.9 (17.5)	11.8 (19.0)	10.9 (17.5)	11.8 (19.0)	10.6 (17.0)	11.5 (18.5)
		P Mode: Full Load		9.8 (15.7)	10.9 (17.6)	9.8 (15.7)	10.9 (17.6)		
		P Mode: No Load		10.3 (16.6)	10.9 (17.6)	10.3 (16.6)	10.9 (17.6)		
		S Mode: Full Load		8.2 (13.2)	10.3 (16.5)	8.2 (13.2)	10.3 (16.5)		
		S Mode: No Load		8.3 (13.4)	10.6 (17.0)	8.3 (13.4)	10.6 (17.0)		
	Lifting	Full Load	fpm (mm/sec)	75 (381)	102 (520)	75 (381)	102 (520)	51 (260)	69 (350)
		No Load	fpm (mm/sec)	115 (584)	130 (660)	115 (584)	130 (660)	91 (460)	116 (590)
	Lowering	Full Load	fpm (mm/sec)	98 (500)		98 (500)		98 (500)	
		No Load	fpm (mm/sec)	98 (500)		98 (500)		98 (500)	
Drawbar Pull	Full Load / No Load	3-Min. Rating	lb (kg)	3320 (1510)	2140 (970)	3320 (1510)	2140 (970)	3290 (1490)	2010 (910)
		3-Min. Rating	lb (kg)	3320 (1510)	2140 (970)	3320 (1510)	2140 (970)	3290 (1490)	2010 (910)
		60-Min. Rating	lb (kg)	1610 (730)	1700 (770)	1610 (730)	1700 (770)	1580 (720)	1690 (760)
Gradeability*	Full Load / No Load	3-Min. Rating	%	25 / 23		25 / 23		21 / 19	
		3-Min. Rating	%	25 / 23		25 / 23		21 / 19	
		60-Min. Rating	%	11 / 19		11 / 19		9 / 17	
TRUCK WEIGHTS				8FBC20U		8FBC20U-COMP		8FBC25U	
Total Weight	Without Battery	lb (kg)		6490 (2945)		6660 (3020)		7150 (3245)	
Weight Distribution <sup>4</sup>	Full Load	Front / Rear	lb (kg)	11050 (5010) / (2090 (950))		11050 (5010) / 2090 (950)		12680 (5750) / 2140 (970)	
	No Load	Front / Rear	lb (kg)	3860 (1750) / (5280 (2395))		3860 (1750) / 5280 (2395)		3670 (1665) / 6130 (2780)	
TIRES				8FBC20U		8FBC20U-COMP		8FBC25U	
Tires	Number	Front / Rear		2 / 2		2 / 2		2 / 2	
	Size	Front / Rear		21 X 7 x 15 / 16 x 5 x 10.5		21 X 7 x 15 / 16 x 5 x 10.5		21 x 7 x 15 / 16 x 5 x 10.5	
Wheelbase		in (mm)		51 (1295)		51 (1295)		51 (1295)	
Tread Width	Front / Rear	in (mm)		35 (890) / 36 (915)		35 (890) / 36 (915)		35 (890) / 36 (915)	
Underclearance (full load)	Minimum	in (mm)		3.0 (75)		3.0 (75)		3.0 (75)	
	Center of Wheelbase	in (mm)		3.9 (100)		3.9 (100)		3.9 (100)	
Brake	Service (foot) / Parking Brake			Hydraulic / Auto/Electric		Hydraulic / Auto/Electric		Hydraulic / Auto/Electric	
POWER SYSTEM				8FBC20U		8FBC20U-COMP		8FBC25U	
Battery	Voltage / Capacity (STD)	V / Ah		36 / 1020	48 / 765	36 / 935	48 / 680	36 / 1020	48 / 765
	6-Hour Rating (high)	V / Ah		36 / 1320	48 / 990	36 / 1210	48 / 880	36 / 1320	48 / 990
Electric Motors	Drive	kW		10.8	14.8	10.8	14.8	10.8	14.8
	Load Handling	kW		13.1	21.5	13.1	21.5	13.1	21.5
Control Type	Drive			Transistor Inverter		Transistor Inverter		Transistor Inverter	
	Load Handling			Transistor Inverter		Transistor Inverter		Transistor Inverter	
	Power Steering			Transistor Inverter		Transistor Inverter		Transistor Inverter	
Auxiliary Hydraulic Function Specifications (for attachments) <sup>5</sup>	Max Operating Pressure	psi (kg/cm <sup>2</sup> )		2,580 (181)		2,580 (181)		2,580 (181)	
	Max Flow Rate	gpm (lpm)		11.04		11.04		11.04	
Please see your local, authorized Toyota dealer for more information.									

\* Computed values.

3 Units ordered with A30H UL "EE" rating will have the same performance characteristics as the UL "E"-rated models. Values indicated reflect speed in H mode. (For S & P mode travel speeds loaded & unloaded, contact your local, authorized Toyota dealer).

4 With standard battery.

5 Values taken at Hydraulic Control Valve. Does not take in to consideration losses through mast plumbing (hosing, fittings, QDs, etc.).

6 Units ordered with A30H UL "EE" rating will have the same performance characteristics as the UL "E" rated models.

**MODEL NUMBERS**

GENERAL DATA				8FBC25U-COMP		8FBCH25U		8FBC28U		
Load Capacity		lb (kg)	5000 (2270)		5000 (2270)		5500 (2490)			
Power Type (battery)	Voltage	V	36	48	36	48	36	48		
Battery Compartment Length		in	27.4"		34.2"		34.2"			
Operator Position			Rider Seated		Rider Seated		Rider Seated			
Tire Type	Front / Rear		Cushion		Cushion		Cushion			
Wheels (x = driven)	Front / Rear		2x/2		2x/2		2x/2			
EXTERIOR DIMENSIONS				8FBC25U-COMP		8FBCH25U		8FBC28U		
<b>A</b> Maximum Fork Height (top of forks)		in (mm)	131.5 (3340)		131.5 (3340)		131.5 (3345)			
<b>B</b> Free-Lift (top of forks)		in (mm)	6.1 (155)		6.1 (155)		5.3 (135)			
<b>C</b> Fork Size (T x W x L)		in (mm)	1.6 x 5 x 42 (40 x 125 x 1070)		1.6 x 5 x 42 (40 x 125 x 1070)		1.8 x 5 x 42 / (45 x 125 x 1070)			
<b>D</b> Tilt Range (forward / backward)		deg	6/8		6/8		6/8			
<b>E</b> Length to Fork Face		in (mm)	82.7 (2100)		85.4 (2170)		89 (2260)			
<b>F</b> Overall Width		in (mm)	41.9 (1065)		41.9 (1065)		43.7 (1110)			
<b>G</b> Mast Lowered Height		in (mm)	83.3 (2115)		83.3 (2110)		83.1 (2110)			
<b>H</b> Mast Extended Height (top of load backrest)		in (mm)	179.5 (4560)		179.5 (4560)		179.7 (4565)			
<b>I</b> Overhead Guard Height		in (mm)	88 (2235)		88 (2235)		88 (2235)			
<b>J</b> Turning Radius (inside / outside)		in (mm)	68.9 (1750)		76.4 (1940)		76.6 (1945)			
<b>K</b> Load Distance <sup>1</sup>		in (mm)	16.7 (425)		16.7 (425)		17.7 (450)			
<b>L</b> Basic Right-Angle Stacking Aisle Width <sup>2</sup>		in (mm)	85.6 (2170)		93.1 (2365)		94.3 (2395)			
PERFORMANCE DATA				8FBC25U-COMP		8FBCH25U		8FBC28U		
				36V	48V	36V	48V	36V	48V	
Speeds <sup>3</sup> (V mast only)	Maximum Travel (FWD)	H Mode: Full Load	mph (km/h)	10.6 (17.0)	12.1 (19.5)	10.6 (17.0)	12.1 (19.5)	10.6 (17.0)	11.9 (19.2)	
		H Mode: No Load	mph (km/h)	11.0 (17.7)	11.8 (19.0)	10.9 (17.5)	11.8 (19.0)	10.9 (17.5)	11.5 (18.5)	
		P Mode: Full Load	mph (km/h)	9.8 (15.8)	11.4 (18.4)	9.8 (15.7)	10.9 (17.6)	10.4 (16.8)	11.7 (18.9)	
		P Mode: No Load	mph (km/h)	11.0 (17.7)	11.6 (18.7)	10.3 (16.6)	10.9 (17.6)	10.9 (17.5)	11.5 (18.5)	
		S Mode: Full Load	mph (km/h)	8.2 (13.2)	10.6 (17.0)	8.2 (13.2)	10.3 (16.5)	8.5 (13.6)	10.7 (17.3)	
		S Mode: No Load	mph (km/h)	8.8 (14.1)	11.2 (18.1)	8.3 (13.4)	10.6 (17.0)	8.4 (13.5)	11.1 (17.9)	
	Lifting	Full Load	fpm (mm/sec)	75 (381)	102 (520)	75 (381)	102 (520)	60 (306)	89 (453)	
		No Load	fpm (mm/sec)	115 (584)	130 (660)	115 (584)	130 (660)	115 (584)	117 (595)	
	Lowering	Full Load	fpm (mm/sec)	98 (500)		98 (500)		98 (500)		
		No Load	fpm (mm/sec)	98 (500)		98 (500)		98 (500)		
Drawbar Pull	Full Load / No Load	3-Min. Rating	lb (kg)	3290 (1490)	2010 (910)	3290 (1490)	2550 (1160)	3170 (1440)	2110 (960)	
		3-Min. Rating	lb (kg)	3290 (1490)	2010 (910)	3290 (1490)	2550 (1160)	3170 (1440)	2110 (960)	
		60-Min. Rating	lb (kg)	1580 (720)	1690 (760)	1580 (720)	1690 (760)	1510 (690)	1650 (750)	
Gradeability*	Full Load / No Load	3-Min. Rating	%	21 / 19		21 / 24		17 / 20		
		3-Min. Rating	%	21 / 19		21 / 24		17 / 20		
		60-Min. Rating	%	9 / 17		9 / 17		7 / 14		
TRUCK WEIGHTS				8FBC25U-COMP		8FBCH25U		8FBC28U		
Total Weight		lb (kg)	7390 (3350)		6550 (2970)		7500 (3400)			
Weight Distribution <sup>4</sup>	Full Load	Front / Rear	lb (kg)		12740 (5780) / 2050 (930)		12790 (5800) / 1760 (800)		13910 (6310) / 2070 (940)	
	No Load	Front / Rear	lb (kg)		3750 (1700) / 6040 (2740)		4050 (1835) / 5500 (2495)		4230 (1920) / 6260 (2840)	
TIRES				8FBC25U-COMP		8FBCH25U		8FBC28U		
Tires	Number	Front / Rear	2 / 2		2 / 2		2 / 2			
	Size	Front / Rear	21 x 7 x 15 / 16 x 5 x 10.5		21 x 7 x 15 / 16 x 5 x 10.5		21 x 8 x 15 / 16 x 6 x 10.5			
Wheelbase		in (mm)	51 (1295)		54.7 (1390)		54.7 (1390)			
Tread Width	Front / Rear	in (mm)	35 (890) / 36 (915)		35 (890) / 36 (915)		35.8 (910) / 36 (915)			
Underclearance (full load)	Minimum	in (mm)	3.0 (75)		3.0 (75)		2.8 (70)			
	Center of Wheelbase	in (mm)	3.9 (100)		3.9 (100)		3.9 (100)			
Brake	Service (foot) / Parking Brake		Hydraulic / Auto/Electric		Hydraulic / Auto/Electric		Hydraulic / Auto/Electric			
POWER SYSTEM				8FBC25U-COMP		8FBCH25U		8FBC28U		
Battery	Voltage / Capacity (STD)	V / Ah	36 / 935	48 / 680	36 / 1190	48 / 850	36 / 1190	48 / 850		
	6-Hour Rating (high)	V / Ah	36 / 1210	48 / 880	36 / 1540	48 / 1100	36 / 1540	48 / 1100		
Electric Motors	Drive	kW	10.8	14.8	10.8	14.8	13.2	18		
	Load Handling	kW	13.1	21.5	13.5	21.5	13.1	21.5		
Control Type	Drive		Transistor Inverter		Transistor Inverter		Transistor Inverter			
	Load Handling		Transistor Inverter		Transistor Inverter		Transistor Inverter			
	Power Steering		Transistor Inverter		Transistor Inverter		Transistor Inverter			
Auxiliary Hydraulic Function Specifications (for attachments) <sup>5</sup>	Max Operating Pressure	psi (kg/cm <sup>2</sup> )	2,580 (181)		2,580 (181)		2,580 (181)			
	Max Flow Rate	gpm (lpm)	11.04		11.04		11.04			
Please see your local, authorized Toyota dealer for more information.										

\* Computed values.

<sup>3</sup> Units ordered with A30H UL "EE" rating will have the same performance characteristics as the UL "E"-rated models. Values indicated reflect speed in H mode. (For S & P mode travel speeds loaded & unloaded, contact your local, authorized Toyota dealer).

<sup>4</sup> With standard battery.

<sup>5</sup> Values taken at Hydraulic Control Valve. Does not take in to consideration losses through mast plumbing (hosing, fittings, QDs, etc.).

<sup>6</sup> Units ordered with A30H UL "EE" rating will have the same performance characteristics as the UL "E" rated models.

# TRUCK SPECIFICATIONS

MODEL NUMBERS

GENERAL DATA				8FBC30U		8FBC32U		8FBC32U		
Load Capacity	lb (kg)			6000 (2720)		6500 (2950)		6500 (2950)		
Power Type (battery)	Voltage	V	36	48	36	48	36	48		
Battery Compartment Length	in			34.2"		34.2"		36.6"		
Operator Position				Rider Seated		Rider Seated		Rider Seated		
Tire Type	Front / Rear	Cushion			Cushion		Cushion			
Wheels (x = driven)	Front / Rear	2x/2			2x/2		2x/2			
EXTERIOR DIMENSIONS				8FBC30U		8FBC32U		8FBC32U		
<b>A</b> Maximum Fork Height (top of forks)	in (mm)			131.5 (3345)		131.5 (3345)		131.5 (3345)		
<b>B</b> Free-Lift (top of forks)	in (mm)			5.3 (135)		5.3 (135)		5.3 (135)		
<b>C</b> Fork Size (T x W x L)	in (mm)			1.8 x 5 x 42 / (45 x 125 x 1070)		1.8 x 5 x 42 / (45 x 125 x 1070)		1.8 x 5 x 42 / (45 x 125 x 1070)		
<b>D</b> Tilt Range (forward / backward)	deg			6/8		6/8		6/8		
<b>E</b> Length to Fork Face	in (mm)			89.6 (2275)		91.3 (2320)		93.1 (2365)		
<b>F</b> Overall Width	in (mm)			43.7 (1110)		43.7 (1110)		43.7 (1110)		
<b>G</b> Mast Lowered Height	in (mm)			83.1 (2110)		83.1 (2110)		83.1 (2110)		
<b>H</b> Mast Extended Height (top of load backrest)	in (mm)			179.1 (4565)		179.7 (4565)		179.7 (4565)		
<b>I</b> Overhead Guard Height	in (mm)			88 (2235)		88 (2235)		88 (2235)		
<b>J</b> Turning Radius (inside / outside)	in (mm)			77.2 (1960)		78.7 (2000)		82.3 (2090)		
<b>K</b> Load Distance <sup>1</sup>	in (mm)			17.7 (450)		17.7 (450)		17.7 (450)		
<b>L</b> Basic Right-Angle Stacking Aisle Width <sup>2</sup>	in (mm)			94.9 (2410)		96.5 (2450)		100.0 (2540)		
PERFORMANCE DATA				8FBC30U		8FBC32U		8FBC32U		
				36V	48V	36V	48V	36V	48V	
Speeds <sup>3</sup> (V mast only)	Maximum Travel (FWD)	H Mode: Full Load	mph (km/h)	10.6 (17.0)	11.9 (19.2)	10.6 (17.0)	11.9 (19.2)	11.9 (19.2)	10.6 (17.0)	
		H Mode: No Load	mph (km/h)	10.6 (17.0)	11.5 (18.5)	10.6 (17.0)	11.5 (18.5)	11.5 (18.5)	10.9 (17.5)	
		P Mode: Full Load	mph (km/h)	10.4 (16.8)	11.7 (18.9)	10.4 (16.8)	11.7 (18.9)	11.7 (18.9)	10.4 (16.8)	
		P Mode: No Load	mph (km/h)	10.9 (17.5)	11.5 (18.5)	10.9 (17.5)	11.5 (18.5)	11.5 (18.5)	10.9 (17.5)	
		S Mode: Full Load	mph (km/h)	8.5 (13.6)	10.7 (17.3)	8.5 (13.6)	10.1 (16.3)	10.7 (17.3)	8.5 (13.6)	
	S Mode: No Load	mph (km/h)	8.8 (14.1)	11.1 (17.9)	8.8 (14.1)	11.1 (17.9)	11.1 (17.8)	8.8 (14.1)		
	Lifting	Full Load	fpm (mm/sec)	60 (306)	89 (453)	60 (306)	89 (453)	60 (306)	89 (453)	
		No Load	fpm (mm/sec)	115 (584)	117 (595)	117 (595)	117 (595)	117 (595)	117 (595)	
	Lowering	Full Load	fpm (mm/sec)	98 (500)		98 (500)		98 (500)		
		No Load	fpm (mm/sec)	98 (500)		98 (500)		98 (500)		
Drawbar Pull	Full Load / No Load	3-Min. Rating	lb (kg)	3160 (1430)	2350 (1070)	3160 (1430)	2270 (1030)	3160 (1430)	2270 (1030)	
		3-Min. Rating	lb (kg)	3160 (1430)	2350 (1070)	3160 (1430)	2270 (1030)	3160 (1430)	2270 (1030)	
		60-Min. Rating	lb (kg)	1460 (660)	1630 (740)	1460 (660)	1630 (740)	1460 (660)	1630 (740)	
Gradeability <sup>*</sup>	Full Load / No Load	3-Min. Rating	%	17 / 20		17 / 19		17 / 19		
		3-Min. Rating	%	17 / 20		17 / 19		17 / 19		
		60-Min. Rating	%	7 / 14		7 / 13		7 / 13		
TRUCK WEIGHTS				8FBC30U		8FBC32U		8FBC32U		
Total Weight	lb (kg)			7890 (3580)		8130 (3685)		7940 (3600)		
Weight Distribution <sup>4</sup>	Full Load	Front / Rear	lb (kg)	14700 (6670) / 2180 (990)		15420 (7180) / 2210 (1060)		15430 (7000) / 2310 (1050)		
	No Load	Front / Rear	lb (kg)	4130 (1875) / 6760 (3065)		3960 (1795) / 7170 (3250)		1940 (4280) / 3160 (6970)		
TIRES				8FBC30U		8FBC32U		8FBC32U		
Tires	Number	Front / Rear	2 / 2			2 / 2		2 / 2		
	Size	Front / Rear	21 x 8 x 15 / 16 x 6 x 10.5			21 x 8 x 15 / 16 x 6 x 10.5		21 x 9 x 15 / 16 x 6 x 10.5		
Wheelbase	in (mm)			54.7 (1390)		54.7 (1390)		58.2 (1480)		
Tread Width	Front / Rear	in (mm)			35.8 (910) / 36 (915)		35.8 (910) / 36 (915)		39 (991) / 36 (915)	
Underclearance (full load)	Minimum	in (mm)			2.8 (70)		2.8 (70)		2.8 (70)	
	Center of Wheelbase	in (mm)			3.9 (100)		3.9 (100)		3.9 (100)	
Brake	Service (foot) / Parking Brake			Hydraulic / Auto/Electric		Hydraulic / Auto/Electric		Hydraulic / Auto/Electric		
POWER SYSTEM				8FBC30U		8FBC32U		8FBC32U		
				36V	48V	36V	48V	36V	48V	
Battery	Voltage / Capacity (STD)	V / Ah	36 / 1190	48 / 850	36 / 1190	48 / 850	36 / 1275	48 / 935		
	6-Hour Rating (high)	V / Ah	36 / 1540	48 / 1100	36 / 1540	48 / 1100	36 / 1650	48 / 1210		
Electric Motors	Drive	kW	13.2	18	13.2	18	13.2	18		
	Load Handling	kW	13.1	21.5	13.1	21.5	13.1	21.5		
Control Type	Drive	Transistor Invertor			Transistor Invertor		Transistor Invertor			
	Load Handling	Transistor Invertor			Transistor Invertor		Transistor Invertor			
	Power Steering	Transistor Invertor			Transistor Invertor		Transistor Invertor			
Auxiliary Hydraulic Function Specifications (for attachments) <sup>5</sup>	Max Operating Pressure	psi (kg/cm <sup>2</sup> )	2,580 (181)		2,580 (181)		2,580 (181)			
	Max Flow Rate	gpm (lpm)	11.04		11.04		11.04			
Please see your local, authorized Toyota dealer for more information.										

\* Computed values.

3 Units ordered with A30H UL "EE" rating will have the same performance characteristics as the UL "E"-rated models. Values indicated reflect speed in H mode. (For S & P mode travel speeds loaded & unloaded, contact your local, authorized Toyota dealer).

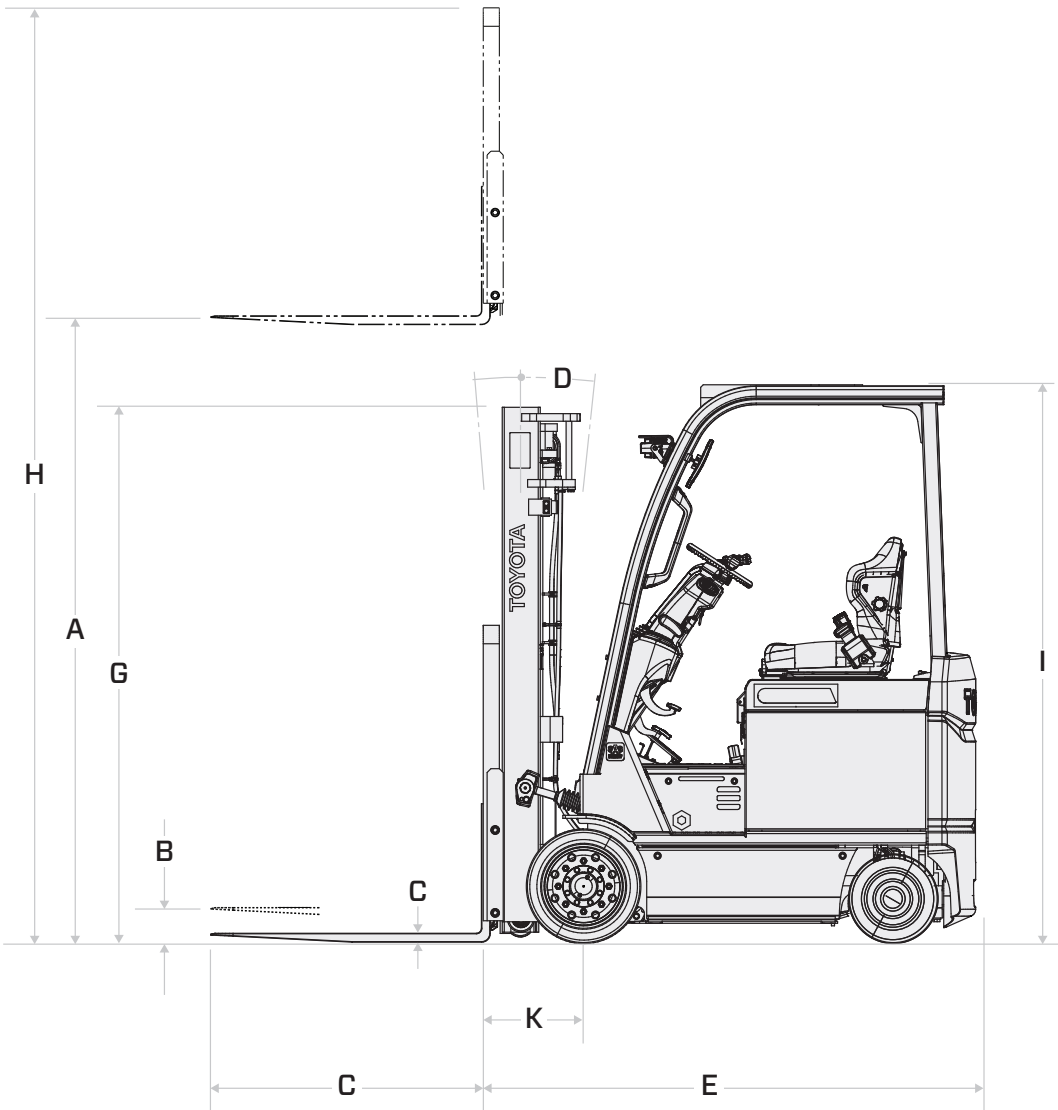
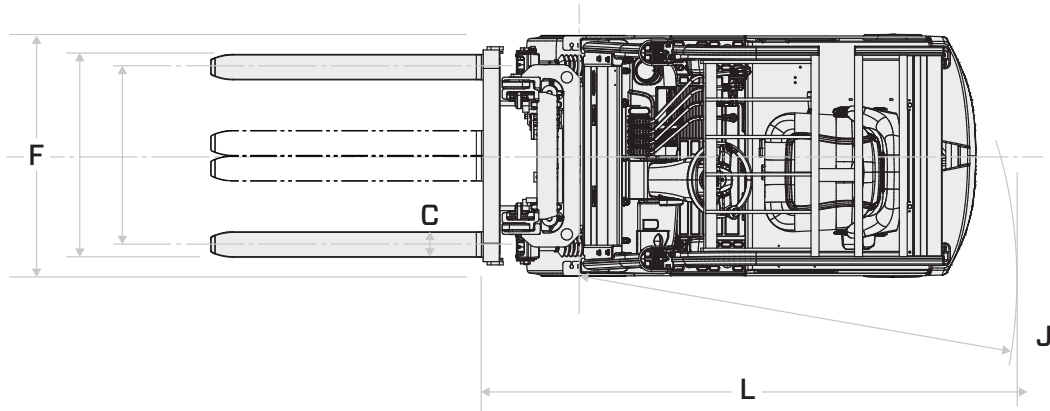
4 With standard battery.

5 Values taken at Hydraulic Control Valve. Does not take in to consideration losses through mast plumbing (hosing, fittings, QDs, etc.).

6 Units ordered with A30H UL "EE" rating will have the same performance characteristics as the UL "E" rated models.

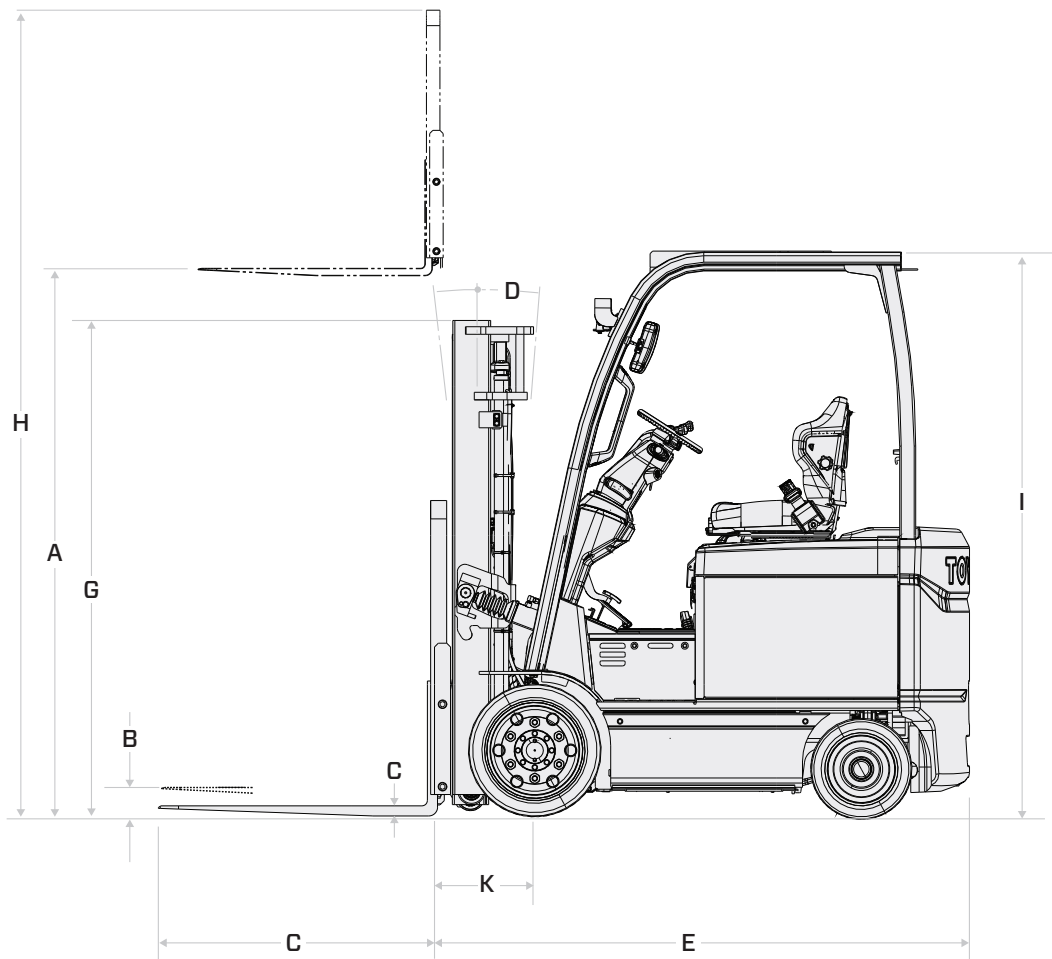
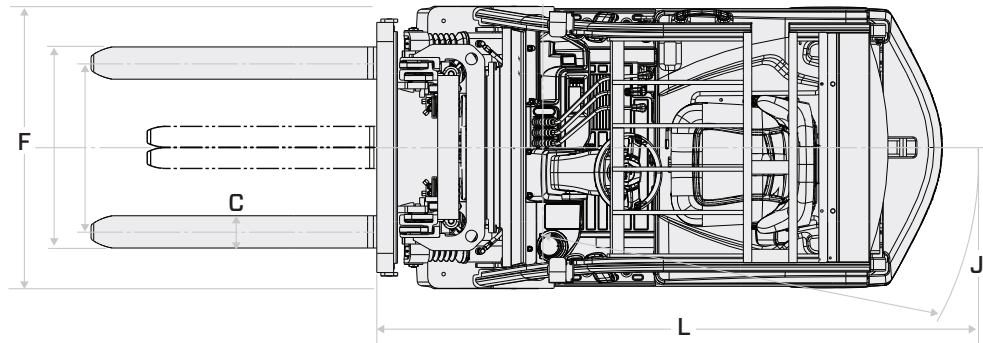


**EXTERIOR DIMENSIONS**  
**8FBC15-18U**



## EXTERIOR DIMENSIONS

8FBC20-32U | 8FBC20-25U-COMP | 8FBCH25-32U



# MAST SPECIFICATIONS

MAST TYPE	MAXIMUM FORK HEIGHT (TOP OF FORKS)	OVERALL HEIGHT			FREE-LIFT		SINGLE TIRE				
		LOWERED	EXTENDED		WITHOUT LOAD BACKREST	WITH STANDARD LOAD BACKREST <sup>1</sup>	TILT RANGE		LOAD CAPACITY AT 24 IN. (600 MM) LOAD CENTER		
			WITHOUT LOAD BACKREST	WITH STANDARD LOAD BACKREST <sup>1</sup>			FWD	BWD	NARROW TREAD	WIDE TREAD	
		in (mm)	in (mm)	in (mm)	in (mm)	in (mm)	in (mm)	deg	deg	lb (kg)	lb (kg)
<b>8FBC15U</b>											
Wide Visible (V)	131 (3335)	83.1 (2110)	152.4 (3870)	179.3 (4555)	5.7 (145)	5.7 (145)	6	8	3000 (1340)	3000 (1340)	
Full Free-Lift 2-Stage (FV)	131 (3335)	83.1 (2110)	150.6 (3825)	179.3 (4555)	35.1 (1585)	35.1 (890)	6	8	3000 (1340)	3000 (1340)	
Full Free-Lift 3-Stage (FSV)	170.5 (4335)	77.2 (1960)	191.5 (4865)	218.7 (5555)	29.2 (1395)	29.2 (740)	6	5	2900 (1300)	2900 (1300)	
	189 (4800)	83.1 (2110)	209.4 (5320)	237 (6020)	35.1 (1545)	35.1 (890)	6	5	2800 (1250)	2800 (1250)	
	198 (5035)	87 (22100)	219.1 (5565)	246.3 (6255)	39 (1645)	39 (990)	6	5	2750 (1230)	2750 (1230)	
	217.5 (5535)	93.3 (2370)	238.8 (6065)	265.9 (6755)	45.3 (1805)	45.3 (1150)	6	5	2200 (990)	2650 (1190)	
<b>8FBC18U</b>											
Wide Visible (V)	131 (3335)	83.1 (2110)	152.4 (3870)	179.3 (4555)	5.7 (145)	5.7 (145)	6	8	3500 (1570)	-	
Full Free-Lift 2-Stage (FV)	131 (3335)	83.1 (2110)	150.6 (3825)	179.3 (4555)	35.1 (1585)	35.1 (890)	6	8	3500 (1570)	-	
Full Free-Lift 3-Stage (FSV)	170.5 (4335)	77.2 (1960)	191.5 (4865)	218.7 (5555)	29.2 (1395)	29.2 (740)	6	5	3400 (1570)	-	
	189 (4800)	83.1 (2110)	209.4 (5320)	237 (6020)	35.1 (1545)	35.1 (890)	6	5	3050 (1410)	-	
	198 (5035)	87 (22100)	219.1 (5565)	246.3 (6255)	39 (1645)	39 (990)	6	5	3090 (1350)	-	
	217.5 (5535)	93.3 (2370)	238.8 (6065)	265.9 (6755)	45.3 (1805)	45.3 (1150)	6	5	2800 (1150)	-	
<b>8FBC20U</b>											
MAST TYPE	MAXIMUM FORK HEIGHT (TOP OF FORKS)	LOWERED	EXTENDED		WITHOUT LOAD BACKREST	WITH STANDARD LOAD BACKREST <sup>1</sup>	TILT RANGE		LOAD CAPACITY AT 24 IN. (600 MM) LOAD CENTER		
			WITHOUT LOAD BACKREST	WITH STANDARD LOAD BACKREST <sup>1</sup>			FWD	BWD	STANDARD TREAD	WIDE TREAD	
		in (mm)	in (mm)	in (mm)	in (mm)	in (mm)	in (mm)	deg	deg	lb (kg)	lb (kg)
<b>8FBC20U</b>											
Wide Visible (V)	80 (2040)	57.5 (1465)	105.9 (3690)	128.3 (3260)	6.1 (155)	6.1 (155)	6	5	4000 (1810)	4000 (1810)	
	119.5 (3040)	77.4 (1965)	145.2 (3690)	167.7 (4260)	6.1 (155)	6.1 (155)	6	8	4000 (1810)	4000 (1810)	
	131.5 (3340)	83.3 (2115)	157.1 (3990)	179.5 (4560)	6.1 (155)	6.1 (155)	6	8	4000 (1810)	4000 (1810)	
	139 (3540)	87.2 (2215)	164.9 (4190)	187.4 (4760)	6.1 (155)	6.1 (155)	6	8	4000 (1810)	4000 (1810)	
	147 (3740)	93.5 (2375)	173.8 (4390)	195.3 (4960)	6.1 (155)	6.1 (155)	6	8	4000 (1810)	4000 (1810)	
Full Free-Lift 2-Stage (FV)	159 (4040)	101 (2565)	184.6 (4690)	207.1 (5260)	6.1 (155)	6.1 (155)	6	8	4000 (1810)	4000 (1810)	
	119.5 (3040)	77.4 (1965)	143.5 (3645)	167.7 (4260)	53.6 (1360)	29.3 (745)	6	8	4000 (1810)	4000 (1810)	
	131.5 (3340)	93.3 (2115)	155.3 (3945)	179.5 (4560)	59.5 (1510)	35.2 (895)	6	8	4000 (1810)	4000 (1810)	
	139 (3540)	87.2 (2215)	163.1 (4145)	187.4 (4760)	63.4 (1610)	39.2 (995)	6	8	4000 (1810)	4000 (1810)	
	159 (4040)	73.4 (1865)	184.2 (4680)	207.1 (5260)	48.1 (1220)	25.4 (645)	6	5	4000 (1810)	4000 (1810)	
Full Free-Lift 3-Stage (FSV)	170.5 (4340)	77.4 (1965)	196 (4980)	218.9 (5560)	52 (1320)	29.4 (945)	6	5	4000 (1810)	4000 (1810)	
	189 (4800)	83.3 (2115)	214.3 (5445)	237.2 (6025)	57.9 (1470)	35.3 (895)	6	5	4000 (1810)	4000 (1810)	
	198 (5040)	87.2 (2215)	223.6 (5680)	246.5 (6260)	61.9 (1570)	39.2 (995)	6	5	3950 (1790)	3950 (1790)	
	218 (5540)	93.5 (2375)	243.3 (6180)	266.1 (6760)	68.2 (1730)	45.5 (1155)	6	5	3800 (1720)	3800 (1720)	
	237.5 (6040)	101 (2565)	263 (6680)	285.8 (7260)	75.6 (1920)	53 (1345)	6	5	—	3650 (1650)	
Open-View Full Free-Lift 3-Stage (FSW)	188 (4800)	83 (2110)	208 (5285)	236 (5995)	62.1 (1575)	35 (890)	6	3	—	3700 (1680)	
	191 (4900)	84 (2135)	211 (5360)	239 (6070)	68 (1725)	40.9 (1040)	6	3	—	3300 (1490)	
	203 (5200)	88 (2235)	223 (5665)	251 (6375)	74.3 (1885)	47.2 (1200)	6	3	—	3100 (1400)	
	224 (5700)	95 (2415)	244 (6200)	272 (6910)	64 (1625)	35 (890)	6	5	3900 (1780)	3900 (1780)	
	227 (5800)	99 (2515)	247 (6275)	275 (6985)	65 (1650)	36 (915)	6	5	3850 (1760)	3850 (1760)	
Full Free-Lift 4-Stage (QFV) <sup>2</sup>	241.5 (6135)	83.1 (2110)	262.6 (6670)	289.6 (7355)	69 (1755)	40 (1015)	6	5	3750 (1710)	3750 (1710)	
	259.5 (6595)	89 (2260)	280.7 (7130)	307.7 (7815)	76 (1930)	47 (1195)	6	5	3600 (1640)	3600 (1640)	
	278 (7055)	95.3 (2420)	298.8 (7590)	325.8 (8275)	80 (2030)	51 (1295)	6	5	—	3550 (1620)	

<sup>1</sup> Height of standard load backrest is 48" (1220 mm).  
<sup>2</sup> Includes Wide Tread as Standard Equipment.

# MAST SPECIFICATIONS

MAST TYPE	MAXIMUM FORK HEIGHT (TOP OF FORKS)	OVERALL HEIGHT				FREE-LIFT		TILT RANGE		LOAD CAPACITY AT 24 IN. (600 MM) LOAD CENTER	
		LOWERED	EXTENDED		WITHOUT LOAD BACKREST	WITH STANDARD LOAD BACKREST <sup>1</sup>	FWD	BWD	STANDARD TREAD	WIDE TREAD	
			WITHOUT LOAD BACKREST	WITH STANDARD LOAD BACKREST <sup>1</sup>							deg
8FBC20U-COMP											
Wide Visible (V)	80 (2040)	57.5 (1465)	105.9 (3690)	128.3 (3260)	6.1 (155)	6.1 (155)	6	5	4000 (1810)	4000 (1810)	
	119.5 (3040)	77.4 (1965)	145.2 (3690)	167.7 (4260)	6.1 (155)	6.1 (155)	6	8	4000 (1810)	4000 (1810)	
	131.5 (3340)	83.3 (2115)	157.1 (3990)	179.5 (4560)	6.1 (155)	6.1 (155)	6	8	4000 (1810)	4000 (1810)	
	139 (3540)	87.2 (2215)	164.9 (4190)	187.4 (4760)	6.1 (155)	6.1 (155)	6	8	4000 (1810)	4000 (1810)	
	147 (3740)	93.5 (2375)	173.8 (4390)	195.3 (4960)	6.1 (155)	6.1 (155)	6	8	4000 (1810)	4000 (1810)	
Full Free-Lift 2-Stage (FV)	159 (4040)	101 (2565)	184.6 (4690)	207.1 (5260)	6.1 (155)	6.1 (155)	6	8	4000 (1810)	4000 (1810)	
	119.5 (3040)	77.4 (1965)	143.5 (3645)	167.7 (4260)	53.6 (1360)	29.3 (745)	6	8	4000 (1810)	4000 (1810)	
	131.5 (3340)	93.3 (2115)	155.3 (3945)	179.5 (4560)	59.5 (1510)	35.2 (895)	6	8	4000 (1810)	4000 (1810)	
Full Free-Lift 3-Stage (FSV)	139 (3540)	87.2 (2215)	163.1 (4145)	187.4 (4760)	63.4 (1610)	39.2 (995)	6	8	4000 (1810)	4000 (1810)	
	159 (4040)	73.4 (1865)	184.2 (4680)	207.1 (5260)	48.1 (1220)	25.4 (645)	6	5	4000 (1810)	4000 (1810)	
	170.5 (4340)	77.4 (1965)	196 (4980)	218.9 (5560)	52 (1320)	29.4 (945)	6	5	4000 (1810)	4000 (1810)	
	189 (4800)	83.3 (2115)	214.3 (5445)	237.2 (6025)	57.9 (1470)	35.3 (895)	6	5	4000 (1810)	4000 (1810)	
	198 (5040)	87.2 (2215)	223.6 (5680)	246.5 (6260)	61.9 (1570)	39.2 (995)	6	5	3900 (1760)	3900 (1760)	
Open-View Full Free-Lift 3-Stage (FSW)	218 (5540)	93.5 (2375)	243.3 (6180)	266.1 (6760)	68.2 (1730)	45.5 (1155)	6	5	3750 (1700)	3750 (1700)	
	237.5 (6040)	101 (2565)	263 (6680)	285.8 (7260)	75.6 (1920)	53 (1345)	6	5	—	3600 (1630)	
	188 (4800)	83 (2110)	208 (5285)	236 (5995)	64 (1625)	35 (890)	6	5	3900 (1780)	3900 (1780)	
	191 (4900)	84 (2135)	211 (5360)	239 (6070)	65 (1650)	36 (915)	6	5	3850 (1760)	3850 (1760)	
	203 (5200)	88 (2235)	223 (5665)	251 (6375)	69 (1755)	40 (1015)	6	5	3750 (1710)	3750 (1710)	
Full Free-Lift 4-Stage (QFV) <sup>2</sup>	224 (5700)	95 (2415)	244 (6200)	272 (6910)	76 (1930)	47 (1195)	6	5	3600 (1640)	3600 (1640)	
	227 (5800)	99 (2515)	247 (6275)	275 (6985)	80 (2030)	51 (1295)	6	5	—	3550 (1620)	
	241.5 (6135)	83.1 (2110)	262.6 (6670)	289.6 (7355)	62.1 (1575)	35 (890)	6	3	—	3550 (1610)	
	259.5 (6595)	89 (2260)	280.7 (7130)	307.7 (7815)	68 (1725)	40.9 (1040)	6	3	—	3200 (1440)	
	278 (7055)	95.3 (2420)	298.8 (7590)	325.8 (8275)	74.3 (1885)	47.2 (1200)	6	3	—	3050 (1380)	

MAST TYPE	MAXIMUM FORK HEIGHT (TOP OF FORKS)	OVERALL HEIGHT				FREE-LIFT		TILT RANGE		LOAD CAPACITY AT 24 IN. (600 MM) LOAD CENTER	
		LOWERED	EXTENDED		WITHOUT LOAD BACKREST	WITH STANDARD LOAD BACKREST <sup>1</sup>	FWD	BWD	STANDARD TREAD	WIDE TREAD	
			WITHOUT LOAD BACKREST	WITH STANDARD LOAD BACKREST <sup>1</sup>							deg
8FBC25U											
Wide Visible (V)	80 (2040)	57.5 (1465)	105.9 (3690)	128.3 (3260)	6.1 (155)	6.1 (155)	6	5	5000 (2270)	5000 (2270)	
	119.5 (3040)	77.4 (1965)	145.2 (3690)	167.7 (4260)	6.1 (155)	6.1 (155)	6	8	5000 (2270)	5000 (2270)	
	131.5 (3340)	83.3 (2115)	157.1 (3990)	179.5 (4560)	6.1 (155)	6.1 (155)	6	8	5000 (2270)	5000 (2270)	
	139 (3540)	87.2 (2215)	164.9 (4190)	187.4 (4760)	6.1 (155)	6.1 (155)	6	8	5000 (2270)	5000 (2270)	
	147 (3740)	93.5 (2375)	173.8 (4390)	195.3 (4960)	6.1 (155)	6.1 (155)	6	8	5000 (2270)	5000 (2270)	
Full Free-Lift 2-Stage (FV)	159 (4040)	101 (2565)	184.6 (4690)	207.1 (5260)	6.1 (155)	6.1 (155)	6	8	5000 (2270)	5000 (2270)	
	119.5 (3040)	77.4 (1965)	143.5 (3645)	167.7 (4260)	53.6 (1360)	29.3 (745)	6	8	5000 (2270)	5000 (2270)	
	131.5 (3340)	93.3 (2115)	155.3 (3945)	179.5 (4560)	59.5 (1510)	35.2 (895)	6	8	5000 (2270)	5000 (2270)	
Full Free-Lift 3-Stage (FSV)	139 (3540)	87.2 (2215)	163.1 (4145)	187.4 (4760)	63.4 (1610)	39.2 (995)	6	8	5000 (2270)	5000 (2270)	
	159 (4040)	73.4 (1865)	184.2 (4680)	207.1 (5260)	48.1 (1220)	25.4 (645)	6	5	5000 (2270)	5000 (2270)	
	170.5 (4340)	77.4 (1965)	196 (4980)	218.9 (5560)	52 (1320)	29.4 (945)	6	5	5000 (2270)	5000 (2270)	
	189 (4800)	83.3 (2115)	214.3 (5445)	237.2 (6025)	57.9 (1470)	35.3 (895)	6	5	4900 (2220)	4900 (2220)	
	198 (5040)	87.2 (2215)	223.6 (5680)	246.5 (6260)	61.9 (1570)	39.2 (995)	6	5	4800 (2170)	4800 (2150)	
Open-View Full Free-Lift 3-Stage (FSW)	218 (5540)	93.5 (2375)	243.3 (6180)	266.1 (6760)	68.2 (1730)	45.5 (1155)	6	5	4600 (2090)	4600 (2090)	
	237.5 (6040)	101 (2565)	263 (6680)	285.8 (7260)	75.6 (1920)	53 (1345)	6	5	—	4000 (1810)	
	188 (4800)	83 (2110)	208 (5285)	236 (5995)	64 (1625)	35 (890)	6	5	4850 (2220)	4850 (2220)	
	191 (4900)	84 (2135)	211 (5360)	239 (6070)	65 (1650)	36 (915)	6	5	4760 (2170)	4760 (2170)	
	203 (5200)	88 (2235)	223 (5665)	251 (6375)	69 (1755)	40 (1015)	6	5	4500 (2060)	4500 (2060)	
Full Free-Lift 4-Stage (QFV) <sup>2</sup>	224 (5700)	95 (2415)	244 (6200)	272 (6910)	76 (1930)	47 (1195)	6	5	—	4000 (1830)	
	227 (5800)	99 (2515)	247 (6275)	275 (6985)	80 (2030)	51 (1295)	6	5	—	3900 (1780)	
	241.5 (6135)	83.1 (2110)	262.6 (6670)	289.6 (7355)	62.1 (1575)	35 (890)	6	3	—	4350 (1970)	
	259.5 (6595)	89 (2260)	280.7 (7130)	307.7 (7815)	68 (1725)	40.9 (1040)	6	3	—	3900 (1760)	
	278 (7055)	95.3 (2420)	298.8 (7590)	325.8 (8275)	74.3 (1885)	47.2 (1200)	6	3	—	3700 (1670)	

<sup>1</sup> Height of standard load backrest is 48" (1220 mm).  
<sup>2</sup> QFV masts are equipped with 3 degree back tilt as standard.

MAST TYPE	MAXIMUM FORK HEIGHT (TOP OF FORKS)	OVERALL HEIGHT				FREE-LIFT		TILT RANGE		LOAD CAPACITY AT 24 IN. (600 MM) LOAD CENTER	
		LOWERED	EXTENDED		WITHOUT LOAD BACKREST	WITH STANDARD LOAD BACKREST <sup>1</sup>	FWD	BWD	STANDARD TREAD	WIDE TREAD	
			WITHOUT LOAD BACKREST	WITH STANDARD LOAD BACKREST <sup>1</sup>							deg
		in (mm)	in (mm)	in (mm)	in (mm)	in (mm)	deg	deg	lb (kg)	lb (kg)	
<b>8FBC25U-COMP</b>											
Wide Visible (V)	80 (2040)	57.5 (1465)	105.9 (3690)	128.3 (3260)	6.1 (155)	6.1 (155)	6	5	5000 (2270)	5000 (2270)	
	119.5 (3040)	77.4 (1965)	145.2 (3690)	167.7 (4260)	6.1 (155)	6.1 (155)	6	8	5000 (2270)	5000 (2270)	
	131.5 (3340)	83.3 (2115)	157.1 (3990)	179.5 (4560)	6.1 (155)	6.1 (155)	6	8	5000 (2270)	5000 (2270)	
	139 (3540)	87.2 (2215)	164.9 (4190)	187.4 (4760)	6.1 (155)	6.1 (155)	6	8	5000 (2270)	5000 (2270)	
	147 (3740)	93.5 (2375)	173.8 (4390)	195.3 (4960)	6.1 (155)	6.1 (155)	6	8	5000 (2270)	5000 (2270)	
	159 (4040)	101 (2565)	184.6 (4690)	207.1 (5260)	6.1 (155)	6.1 (155)	6	8	5000 (2270)	5000 (2270)	
Full Free-Lift 2-Stage (FV)	119.5 (3040)	77.4 (1965)	143.5 (3645)	167.7 (4260)	53.6 (1360)	29.3 (745)	6	8	5000 (2270)	5000 (2270)	
	131.5 (3340)	93.3 (2115)	155.3 (3945)	179.5 (4560)	59.5 (1510)	35.2 (895)	6	8	5000 (2270)	5000 (2270)	
	139 (3540)	87.2 (2215)	163.1 (4145)	187.4 (4760)	63.4 (1610)	39.2 (995)	6	8	5000 (2270)	5000 (2270)	
Full Free-Lift 3-Stage (FSV)	159 (4040)	73.4 (1865)	184.2 (4680)	207.1 (5260)	48.1 (1220)	25.4 (645)	6	5	5000 (2270)	5000 (2270)	
	170.5 (4340)	77.4 (1965)	196 (4980)	218.9 (5560)	52 (1320)	29.4 (945)	6	5	5000 (2270)	5000 (2270)	
	189 (4800)	83.3 (2115)	214.3 (5445)	237.2 (6025)	57.9 (1470)	35.3 (895)	6	5	4850 (2200)	4850 (2200)	
	198 (5040)	87.2 (2215)	223.6 (5680)	246.5 (6260)	61.9 (1570)	39.2 (995)	6	5	4760 (2150)	4760 (2150)	
	218 (5540)	93.5 (2375)	243.3 (6180)	266.1 (6760)	68.2 (1730)	45.5 (1155)	6	5	4550 (2060)	4550 (2060)	
Open-View Full Free-Lift 3-Stage (FSW)	237.5 (6040)	101 (2565)	263 (6680)	285.8 (7260)	75.6 (1920)	53 (1345)	6	5	—	4400 (2000)	
	188 (4800)	83 (2110)	208 (5285)	236 (5995)	64 (1625)	35 (890)	6	5	4850 (2220)	4850 (2220)	
	191 (4900)	84 (2135)	211 (5360)	239 (6070)	65 (1650)	36 (915)	6	5	4760 (2170)	4760 (2170)	
	203 (5200)	88 (2235)	223 (5665)	251 (6375)	69 (1755)	40 (1015)	6	5	4500 (2060)	4500 (2060)	
	224 (5700)	95 (2415)	244 (6200)	272 (6910)	76 (1930)	47 (1195)	6	5	—	4000 (1830)	
Full Free-Lift 4-Stage (QFV) <sup>2</sup>	227 (5800)	99 (2515)	247 (6275)	275 (6985)	80 (2030)	51 (1295)	6	5	—	3900 (1780)	
	241.5 (6135)	83.1 (2110)	262.6 (6670)	289.6 (7355)	62.1 (1575)	35 (890)	6	3	—	4200 (1900)	
Full Free-Lift 4-Stage (QFV) <sup>2</sup>	259.5 (6595)	89 (2260)	280.7 (7130)	307.7 (7815)	68 (1725)	40.9 (1040)	6	3	—	2950 (1790)	
	278 (7055)	95.3 (2420)	298.8 (7590)	325.8 (8275)	74.3 (1885)	47.2 (1200)	6	3	—	3800 (1720)	

MAST TYPE	MAXIMUM FORK HEIGHT (TOP OF FORKS)	OVERALL HEIGHT				FREE-LIFT		TILT RANGE		LOAD CAPACITY AT 24 IN. (600 MM) LOAD CENTER	
		LOWERED	EXTENDED		WITHOUT LOAD BACKREST	WITH STANDARD LOAD BACKREST <sup>1</sup>	FWD	BWD	STANDARD TREAD	WIDE TREAD	
			WITHOUT LOAD BACKREST	WITH STANDARD LOAD BACKREST <sup>1</sup>							deg
		in (mm)	in (mm)	in (mm)	in (mm)	in (mm)	deg	deg	lb (kg)	lb (kg)	
<b>8FBCH25U</b>											
Wide Visible (V)	80 (2040)	57.5 (1465)	105.9 (3690)	128.3 (3260)	6.1 (155)	6.1 (155)	6	5	5000 (2270)	5000 (2270)	
	119.5 (3040)	77.4 (1965)	145.2 (3690)	167.7 (4260)	6.1 (155)	6.1 (155)	6	8	5000 (2270)	5000 (2270)	
	131.5 (3340)	83.3 (2115)	157.1 (3990)	179.5 (4560)	6.1 (155)	6.1 (155)	6	8	5000 (2270)	5000 (2270)	
	139 (3540)	87.2 (2215)	164.9 (4190)	187.4 (4760)	6.1 (155)	6.1 (155)	6	8	5000 (2270)	5000 (2270)	
	147 (3740)	93.5 (2375)	173.8 (4390)	195.3 (4960)	6.1 (155)	6.1 (155)	6	8	5000 (2270)	5000 (2270)	
	159 (4040)	101 (2565)	184.6 (4690)	207.1 (5260)	6.1 (155)	6.1 (155)	6	8	5000 (2270)	5000 (2270)	
Full Free-Lift 2-Stage (FV)	119.5 (3040)	77.4 (1965)	143.5 (3645)	167.7 (4260)	53.6 (1360)	29.3 (745)	6	8	5000 (2270)	5000 (2270)	
	131.5 (3340)	93.3 (2115)	155.3 (3945)	179.5 (4560)	59.5 (1510)	35.2 (895)	6	8	5000 (2270)	5000 (2270)	
	139 (3540)	87.2 (2215)	163.1 (4145)	187.4 (4760)	63.4 (1610)	39.2 (995)	6	8	5000 (2270)	5000 (2270)	
Full Free-Lift 3-Stage (FSV)	159 (4040)	73.4 (1865)	184.2 (4680)	207.1 (5260)	48.1 (1220)	25.4 (645)	6	5	5000 (2270)	5000 (2270)	
	170.5 (4340)	77.4 (1965)	196 (4980)	218.9 (5560)	52 (1320)	29.4 (945)	6	5	5000 (2270)	5000 (2270)	
	189 (4800)	83.3 (2115)	214.3 (5445)	237.2 (6025)	57.9 (1470)	35.3 (895)	6	5	4850 (2220)	4850 (2220)	
	198 (5040)	87.2 (2215)	223.6 (5680)	246.5 (6260)	61.9 (1570)	39.2 (995)	6	5	4760 (2150)	4760 (2150)	
	218 (5540)	93.5 (2375)	243.3 (6180)	266.1 (6760)	68.2 (1730)	45.5 (1155)	6	5	4600 (2090)	4600 (2090)	
Open-View Full Free-Lift 3-Stage (FSW)	237.5 (6040)	101 (2565)	263 (6680)	285.8 (7260)	75.6 (1920)	53 (1345)	6	5	—	4150 (1880)	
	188 (4800)	83 (2110)	208 (5285)	236 (5995)	64 (1625)	35 (890)	6	5	4850 (2220)	4850 (2220)	
	191 (4900)	84 (2135)	211 (5360)	239 (6070)	65 (1650)	36 (915)	6	5	4760 (2170)	4760 (2170)	
	203 (5200)	88 (2235)	223 (5665)	251 (6375)	69 (1755)	40 (1015)	6	5	4500 (2060)	4500 (2060)	
	224 (5700)	95 (2415)	244 (6200)	272 (6910)	76 (1930)	47 (1195)	6	5	—	4000 (1830)	
Full Free-Lift 4-Stage (QFV)	227 (5800)	99 (2515)	247 (6275)	275 (6985)	80 (2030)	51 (1295)	6	5	—	3900 (1780)	
	241.5 (6135)	83.1 (2110)	262.6 (6670)	289.6 (7355)	62.1 (1575)	35 (890)	6	3	—	4250 (1930)	
Full Free-Lift 4-Stage (QFV)	259.5 (6595)	89 (2260)	280.7 (7130)	307.7 (7815)	68 (1725)	40.9 (1040)	6	3	—	4000 (1810)	
	278 (7055)	95.3 (2420)	298.8 (7590)	325.8 (8275)	74.3 (1885)	47.2 (1200)	6	3	—	3700 (1670)	

\* All capacities of 1500 lbs. or less are subject to a secondary review & could be denied by Toyota.

<sup>1</sup> Height of standard load backrest is 48" (1220 mm).

<sup>2</sup> QFV masts are equipped with 3 degree back tilt as standard.

# MAST SPECIFICATIONS

MAST TYPE	MAXIMUM FORK HEIGHT (TOP OF FORKS)	OVERALL HEIGHT				FREE-LIFT		TILT RANGE		LOAD CAPACITY AT 24 IN. (600 MM) LOAD CENTER	
		LOWERED	EXTENDED		WITHOUT LOAD BACKREST	WITH STANDARD LOAD BACKREST <sup>1</sup>	FWD	BWD	STANDARD TREAD	WIDE TREAD	
			WITHOUT LOAD BACKREST	WITH STANDARD LOAD BACKREST <sup>1</sup>							deg
in (mm)											
<b>8FBC28U</b>											
Wide Visible (V)	80 (2045)	57.5 (1460)	107.9 (2740)	128.5 (3265)	5.3 (135)	5.3 (135)	6	5	5500 (2490)	5500 (2490)	
	119.5 (3045)	77.2 (1960)	147.2 (3740)	167.9 (4265)	5.3 (135)	5.3 (135)	6	8	5500 (2490)	5500 (2490)	
	131.5 (3345)	83.1 (2110)	159.1 (4040)	179.7 (4565)	5.3 (135)	5.3 (135)	6	8	5500 (2490)	5500 (2490)	
	139.5 (3545)	87 (2210)	166.9 (4240)	187.6 (4765)	5.3 (135)	5.3 (135)	6	8	5500 (2490)	5500 (2490)	
	147 (3745)	93.3 (2370)	174.8 (4440)	195.5 (4965)	5.3 (135)	5.3 (135)	6	8	5500 (2490)	5500 (2490)	
	159 (4045)	100.8 (2560)	186.6 (4740)	207.3 (5265)	5.3 (135)	5.3 (135)	6	8	5500 (2490)	5500 (2490)	
Full Free-Lift 2-Stage (FV)	119.5 (3045)	77.2 (1960)	143.9 (3655)	167.8 (4265)	53.2 (1350)	29.2 (740)	6	8	5500 (2490)	5500 (2490)	
	131.5 (3345)	83.1 (2110)	155.7 (3955)	179.7 (4565)	59.1 (1500)	35.1 (890)	6	8	5500 (2490)	5500 (2490)	
	139.5 (3545)	87 (2210)	163.5 (4155)	187.5 (4765)	63.1 (1600)	39.1 (990)	6	8	5500 (2490)	5500 (2490)	
Full Free-Lift 3-Stage (FSV)	159 (4045)	77.2 (1960)	183.2 (4655)	207.2 (5265)	53.1 (1350)	29.2 (740)	6	5	5500 (2490)	5500 (2490)	
	171 (4345)	83.1 (2110)	195 (4955)	219 (5565)	59.1 (1500)	35.1 (890)	6	5	5350 (2430)	5350 (2430)	
	187 (4760)	87 (2210)	210.8 (5355)	234.8 (5965)	63 (1600)	39.1 (990)	6	5	5300 (2400)	5300 (2400)	
	198.5 (5045)	93.3 (2370)	222.6 (5655)	246.6 (6265)	69.3 (1760)	45.4 (1150)	6	5	5250 (2380)	5250 (2380)	
	218 (5545)	100.8 (2560)	242.3 (6155)	266.3 (6765)	76.8 (1950)	52.9 (1340)	6	5	5050 (2290)	5050 (2290)	
	237.5 (6045)	110.6 (2810)	262 (6655)	284.9 (7265)	86.6 (2200)	62.7 (1590)	6	5	4250 (1920)	4850 (2200)	
Open-View Full Free-Lift 3-Stage (FSW)	159 (4040)	77 (1955)	179 (4545)	207 (5265)	51 (1295)	29 (735)	6	5	5500 (2490)	5500 (2490)	
	177 (4500)	83 (2110)	197 (5005)	225 (5565)	57 (1450)	35 (890)	6	5	5250 (2430)	5350 (2430)	
	188 (4780)	88 (2235)	208 (5285)	236 (5965)	62 (1575)	40 (1015)	6	5	5300 (2400)	5300 (2400)	
	199 (5060)	93 (2360)	219 (5565)	247 (6265)	67 (1700)	45 (1145)	6	5	5250 (2380)	5250 (2380)	
	218 (5540)	102 (2590)	238 (6045)	266 (6765)	76 (1930)	54 (1370)	6	5	5000 (2270)	5000 (2270)	
	238 (6050)	112 (2845)	258 (6555)	286 (7265)	86 (2185)	64 (1625)	6	5	4250 (1920)	4850 (2200)	
Full Free-Lift 4-Stage (QFV) <sup>2</sup>	241.5 (6135)	83.1 (2110)	262.6 (6670)	289.6 (7355)	62.1 (1575)	35 (890)	6	3	—	4500 (200)	
	259.5 (6595)	89 (2260)	280.7 (7130)	307.7 (7815)	68 (1725)	40.9 (1040)	6	3	—	4200 (1900)	
	278 (7055)	95.3 (2420)	298.8 (7590)	325.8 (8275)	74.3 (1885)	47.2 (1200)	6	3	—	4000 (1810)	

MAST TYPE	MAXIMUM FORK HEIGHT (TOP OF FORKS)	OVERALL HEIGHT				FREE-LIFT		TILT RANGE		LOAD CAPACITY AT 24 IN. (600 MM) LOAD CENTER	
		LOWERED	EXTENDED		WITHOUT LOAD BACKREST	WITH STANDARD LOAD BACKREST <sup>1</sup>	FWD	BWD	STANDARD TREAD	WIDE TREAD	
			WITHOUT LOAD BACKREST	WITH STANDARD LOAD BACKREST <sup>1</sup>							deg
in (mm)											
<b>8FBC30U</b>											
Wide Visible (V)	80 (2045)	57.5 (1460)	107.9 (2740)	128.5 (3265)	5.3 (135)	5.3 (135)	6	5	6000 (2720)	6000 (2720)	
	119.5 (3045)	77.2 (1960)	147.2 (3740)	167.9 (4265)	5.3 (135)	5.3 (135)	6	8	6000 (2720)	6000 (2720)	
	131.5 (3345)	83.1 (2110)	159.1 (4040)	179.7 (4565)	5.3 (135)	5.3 (135)	6	8	6000 (2720)	6000 (2720)	
	139.5 (3545)	87 (2210)	166.9 (4240)	187.6 (4765)	5.3 (135)	5.3 (135)	6	8	6000 (2720)	6000 (2720)	
	147 (3745)	93.3 (2370)	174.8 (4440)	195.5 (4965)	5.3 (135)	5.3 (135)	6	8	6000 (2720)	6000 (2720)	
	159 (4045)	100.8 (2560)	186.6 (4740)	207.3 (5265)	5.3 (135)	5.3 (135)	6	8	6000 (2720)	6000 (2720)	
Full Free-Lift 2-Stage (FV)	119.5 (3045)	77.2 (1960)	143.9 (3655)	167.8 (4265)	53.2 (1350)	29.2 (740)	6	8	6000 (2720)	6000 (2720)	
	131.5 (3345)	83.1 (2110)	155.7 (3955)	179.7 (4565)	59.1 (1500)	35.1 (890)	6	8	6000 (2720)	6000 (2720)	
	139.5 (3545)	87 (2210)	163.5 (4155)	187.5 (4765)	63.1 (1600)	39.1 (990)	6	8	6000 (2720)	6000 (2720)	
Full Free-Lift 3-Stage (FSV)	159 (4045)	77.2 (1960)	183.2 (4655)	207.2 (5265)	53.1 (1350)	29.2 (740)	6	5	6000 (2720)	6000 (2720)	
	171 (4345)	83.1 (2110)	195 (4955)	219 (5565)	59.1 (1500)	35.1 (890)	6	5	5900 (2680)	5900 (2680)	
	187 (4760)	87 (2210)	210.8 (5355)	234.8 (5965)	63 (1600)	39.1 (990)	6	5	5800 (2630)	5800 (2630)	
	198.5 (5045)	93.3 (2370)	222.6 (5655)	246.6 (6265)	69.3 (1760)	45.4 (1150)	6	5	5650 (2560)	5650 (2560)	
	218 (5545)	100.8 (2560)	242.3 (6155)	266.3 (6765)	76.8 (1950)	52.9 (1340)	6	5	5450 (2470)	5450 (2470)	
	237.5 (6045)	110.6 (2810)	262 (6655)	284.9 (7265)	86.6 (2200)	62.7 (1590)	6	5	4400 (1990)	5000 (2260)	
Open-View Full Free-Lift 3-Stage (FSW)	159 (4040)	77 (1955)	179 (4545)	207 (5265)	51 (1295)	29 (735)	6	5	6000 (2720)	6000 (2720)	
	177 (4500)	83 (2110)	197 (5005)	225 (5565)	57 (1450)	35 (890)	6	5	5850 (2650)	5850 (2650)	
	188 (4780)	88 (2235)	208 (5285)	236 (5965)	62 (1575)	40 (1015)	6	5	5800 (2630)	5800 (2630)	
	199 (5060)	93 (2360)	219 (5565)	247 (6265)	67 (1700)	45 (1145)	6	5	5650 (2560)	5650 (2560)	
	218 (5540)	102 (2590)	238 (6045)	266 (6765)	76 (1930)	54 (1370)	6	5	5450 (2470)	5450 (2470)	
	238 (6050)	112 (2845)	258 (6555)	286 (7265)	86 (2185)	64 (1625)	6	5	4400 (1990)	5250 (2380)	
Full Free-Lift 4-Stage (QFV) <sup>2</sup>	241.5 (6135)	83.1 (2110)	262.6 (6670)	289.6 (7355)	62.1 (1575)	35 (890)	6	3	—	4500 (2040)	
	259.5 (6595)	89 (2260)	280.7 (7130)	307.7 (7815)	68 (1725)	40.9 (1040)	6	3	—	4250 (1920)	
	278 (7055)	95.3 (2420)	298.8 (7590)	325.8 (8275)	74.3 (1885)	47.2 (1200)	6	3	—	3800 (1720)	

\* All capacities of 1500 lbs. or less are subject to a secondary review & could be denied by Toyota.

<sup>1</sup> Height of standard load backrest is 48" (1220 mm).

<sup>2</sup> QFV masts are equipped with 3 degree back tilt as standard.

MAST TYPE	MAXIMUM FORK HEIGHT (TOP OF FORKS)	OVERALL HEIGHT				FREE-LIFT		TILT RANGE		LOAD CAPACITY AT 24 IN. (600 MM) LOAD CENTER	
		LOWERED	EXTENDED		WITHOUT LOAD BACKREST	WITH STANDARD LOAD BACKREST <sup>1</sup>	FWD	BWD	STANDARD TREAD	WIDE TREAD	
			WITHOUT LOAD BACKREST	WITH STANDARD LOAD BACKREST <sup>1</sup>							deg
	in (mm)	in (mm)	in (mm)	in (mm)	in (mm)	in (mm)	deg	deg	lb (kg)	lb (kg)	
<b>8FBC32U</b>											
Wide Visible (V)	80 (2045)	57.5 (1460)	107.9 (2740)	128.5 (3265)	5.3 (135)	5.3 (135)	6	5	6500 (2950)	6500 (2950)	
	119.5 (3045)	77.2 (1960)	147.2 (3740)	167.9 (4265)	5.3 (135)	5.3 (135)	6	8	6500 (2950)	6500 (2950)	
	131.5 (3345)	83.1 (2110)	159.1 (4040)	179.7 (4565)	5.3 (135)	5.3 (135)	6	8	6500 (2950)	6500 (2950)	
	139.5 (3545)	87 (2210)	166.9 (4240)	187.6 (4765)	5.3 (135)	5.3 (135)	6	8	6500 (2950)	6500 (2950)	
	147 (3745)	93.3 (2370)	174.8 (4440)	195.5 (4965)	5.3 (135)	5.3 (135)	6	8	6500 (2950)	6500 (2950)	
	159 (4045)	100.8 (2560)	186.6 (4740)	207.3 (5265)	5.3 (135)	5.3 (135)	6	8	6500 (2950)	6500 (2950)	
Full Free-Lift 2-Stage (FV)	119.5 (3045)	77.2 (1960)	143.9 (3655)	167.8 (4265)	53.2 (1350)	29.2 (740)	6	8	6500 (2950)	6500 (2950)	
	131.5 (3345)	83.1 (2110)	155.7 (3955)	179.7 (4565)	59.1 (1500)	35.1 (890)	6	8	6500 (2950)	6500 (2950)	
	139.5 (3545)	87 (2210)	163.5 (4155)	187.5 (4765)	63.1 (1600)	39.1 (990)	6	8	6500 (2950)	6500 (2950)	
Full Free-Lift 3-Stage (FSV)	159 (4045)	77.2 (1960)	183.2 (4655)	207.2 (5265)	53.1 (1350)	29.2 (740)	6	5	6500 (2950)	6500 (2950)	
	171 (4345)	83.1 (2110)	195 (4955)	219 (5565)	59.1 (1500)	35.1 (890)	6	5	6400 (2900)	6400 (2900)	
	187 (4760)	87 (2210)	210.8 (5355)	234.8 (5965)	63 (1600)	39.1 (990)	6	5	6300 (2860)	6300 (2860)	
	198.5 (5045)	93.3 (2370)	222.6 (5655)	246.6 (6265)	69.3 (1760)	45.4 (1150)	6	5	6150 (2790)	6150 (2790)	
	218 (5545)	100.8 (2560)	242.3 (6155)	266.3 (6765)	76.8 (1950)	52.9 (1340)	6	5	5900 (2680)	5900 (2680)	
237.5 (6045)	110.6 (2810)	262 (6655)	284.9 (7265)	86.6 (2200)	62.7 (1590)	6	5	4250 (1920)	5700 (2590)		
Open-View Full Free-Lift 3-Stage (FSW)	159 (4040)	77 (1955)	179 (4545)	207 (5265)	51 (1295)	29 (735)	6	5	6500 (2950)	6500 (2950)	
	177 (4500)	83 (2110)	197 (5005)	225 (5565)	57 (1450)	35 (890)	6	5	6350 (2870)	6350 (2870)	
	188 (4780)	88 (2235)	208 (5285)	236 (5965)	62 (1575)	40 (1015)	6	5	6300 (2860)	6300 (2860)	
	199 (5060)	93 (2360)	219 (5565)	247 (6265)	67 (1700)	45 (1145)	6	5	—	6150 (2790)	
	218 (5540)	102 (2590)	238 (6045)	266 (6765)	76 (1930)	54 (1370)	6	5	—	5900 (2680)	
	238 (6050)	112 (2845)	258 (6555)	286 (7265)	86 (2185)	64 (1625)	6	5	—	5700 (2590)	
Full Free-Lift 4-Stage (QFV) <sup>2</sup>	241.5 (6135)	83.1 (2110)	262.6 (6670)	289.6 (7355)	62.1 (1575)	35 (890)	6	3	—	4500 (2040)	
	259.5 (6595)	89 (2260)	280.7 (7130)	307.7 (7815)	68 (1725)	40.9 (1040)	6	3	—	4500 (2040)	
	278 (7055)	95.3 (2420)	298.8 (7590)	325.8 (8275)	74.3 (1885)	47.2 (1200)	6	3	—	3900 (1760)	

MAST TYPE	MAXIMUM FORK HEIGHT (TOP OF FORKS)	OVERALL HEIGHT				FREE-LIFT		TILT RANGE		LOAD CAPACITY AT 24 IN. (600 MM) LOAD CENTER	
		LOWERED	EXTENDED		WITHOUT LOAD BACKREST	WITH STANDARD LOAD BACKREST <sup>1</sup>	FWD	BWD	STANDARD TREAD	WIDE TREAD	
			WITHOUT LOAD BACKREST	WITH STANDARD LOAD BACKREST <sup>1</sup>							deg
	in (mm)	in (mm)	in (mm)	in (mm)	in (mm)	in (mm)	deg	deg	lb (kg)	lb (kg)	
<b>8FBCH32U</b>											
Wide Visible (V)	80 (2045)	57.5 (1460)	107.9 (2740)	128.5 (3265)	5.3 (135)	5.3 (135)	6	5	6500 (2950)	6500 (2950)	
	119.5 (3045)	77.2 (1960)	147.2 (3740)	167.9 (4265)	5.3 (135)	5.3 (135)	6	8	6500 (2950)	6500 (2950)	
	131.5 (3345)	83.1 (2110)	159.1 (4040)	179.7 (4565)	5.3 (135)	5.3 (135)	6	8	6500 (2950)	6500 (2950)	
	139.5 (3545)	87 (2210)	166.9 (4240)	187.6 (4765)	5.3 (135)	5.3 (135)	6	8	6500 (2950)	6500 (2950)	
	147 (3745)	93.3 (2370)	174.8 (4440)	195.5 (4965)	5.3 (135)	5.3 (135)	6	8	6500 (2950)	6500 (2950)	
	159 (4045)	100.8 (2560)	186.6 (4740)	207.3 (5265)	5.3 (135)	5.3 (135)	6	8	6500 (2950)	6500 (2950)	
Full Free-Lift 2-Stage (FV)	119.5 (3045)	77.2 (1960)	143.9 (3655)	167.8 (4265)	53.2 (1350)	29.2 (740)	6	8	6500 (2950)	6500 (2950)	
	131.5 (3345)	83.1 (2110)	155.7 (3955)	179.7 (4565)	59.1 (1500)	35.1 (890)	6	8	6500 (2950)	6500 (2950)	
	139.5 (3545)	87 (2210)	163.5 (4155)	187.5 (4765)	63.1 (1600)	39.1 (990)	6	8	6500 (2950)	6500 (2950)	
Full Free-Lift 3-Stage (FSV)	159 (4045)	77.2 (1960)	183.2 (4655)	207.2 (5265)	53.1 (1350)	29.2 (740)	6	5	6500 (2950)	6500 (2950)	
	171 (4345)	83.1 (2110)	195 (4955)	219 (5565)	59.1 (1500)	35.1 (890)	6	5	6400 (2900)	6400 (2900)	
	187 (4760)	87 (2210)	210.8 (5355)	234.8 (5965)	63 (1600)	39.1 (990)	6	5	6300 (2860)	6300 (2860)	
	198.5 (5045)	93.3 (2370)	222.6 (5655)	246.6 (6265)	69.3 (1760)	45.4 (1150)	6	5	6150 (2790)	6150 (2790)	
	218 (5545)	100.8 (2560)	242.3 (6155)	266.3 (6765)	76.8 (1950)	52.9 (1340)	6	5	5900 (2680)	5900 (2680)	
237.5 (6045)	110.6 (2810)	262 (6655)	284.9 (7265)	86.6 (2200)	62.7 (1590)	6	5	4250 (1920)	5700 (2590)		
Open-View Full Free-Lift 3-Stage (FSW)	159 (4040)	77 (1955)	179 (4545)	207 (5265)	51 (1295)	29 (735)	6	5	6500 (2950)	6500 (2950)	
	177 (4500)	83 (2110)	197 (5005)	225 (5565)	57 (1450)	35 (890)	6	5	6350 (2870)	6350 (2870)	
	188 (4780)	88 (2235)	208 (5285)	236 (5965)	62 (1575)	40 (1015)	6	5	6300 (2860)	6300 (2860)	
	199 (5060)	93 (2360)	219 (5565)	247 (6265)	67 (1700)	45 (1145)	6	5	—	6150 (2790)	
	218 (5540)	102 (2590)	238 (6045)	266 (6765)	76 (1930)	54 (1370)	6	5	—	5900 (2680)	
	238 (6050)	112 (2845)	258 (6555)	286 (7265)	86 (2185)	64 (1625)	6	5	—	5700 (2590)	
Full Free-Lift 4-Stage (QFV) <sup>2</sup>	241.5 (6135)	83.1 (2110)	262.6 (6670)	289.6 (7355)	62.1 (1575)	35 (890)	6	3	—	4500 (2040)	
	259.5 (6595)	89 (2260)	280.7 (7130)	307.7 (7815)	68 (1725)	40.9 (1040)	6	3	—	4500 (2040)	
	278 (7055)	95.3 (2420)	298.8 (7590)	325.8 (8275)	74.3 (1885)	47.2 (1200)	6	3	—	3900 (1760)	

\* All capacities of 1500 lbs. or less are subject to a secondary review & could be denied by Toyota.

<sup>1</sup> Height of standard load backrest is 48" (1220 mm).

<sup>2</sup> QFV masts are equipped with 3 degree back tilt as standard.

# HEIGHTENED AWARENESS FOR INCREASED PERFORMANCE

While moving product quickly and efficiently through your facility is important, the comfort and security of operators and pedestrians must also be a top priority. Toyota has engineered SEnS+ Smart Environment Sensor Plus<sup>TM</sup>, a state-of-the-art stereoscopic vision technology, to assist operators in identifying pedestrians or objects during a shift. SEnS+ Smart Environment Sensor Plus<sup>TM</sup> not only detects pedestrians, but it utilizes forklift sensor technology to automatically slow down the forklift when objects and pedestrians are detected. With dynamic zoning, SEnS+ adjusts the range of detection based on the speed of the forklift.

Visit us at <https://www.toyotaforklift.com/sens-smart-environment-sensor> for more information.

